

**7** 7 Years  
Product Warranty  
UK Only

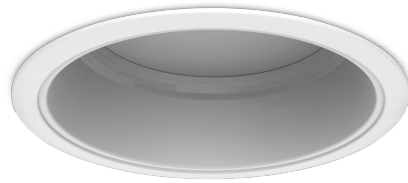
**2** 2 Years  
On-Site Warranty  
Main-land UK Only

# Napa

06482 NAP6IN20-WHT

## Napa 6 inch LED commercial DL, CCT switch, 20W, IP44

- Integrated dimmable driver
- Compatible with Kosnic's mains emergency module
- Switchable CCT (3000K/4000K/6000K)
- Optional silver and polished chrome reflectors
- High lumen output
- Low glare
- Flicker free



### Overview

The Kosnic Napa LED Commercial Downlight has a switchable colour temperature function so that the installer can select 3000k, 4000k or 6000k. The downlight is supplied in white but has the option of silver or polished chrome reflectors and is compatible with Kosnic emergency modules.



**IP44**



### General Information

Ambient Temperature Range (°C)	-20°C to 50°C
IK Rating	IK07
IP Rating	IP44
Protection Rating	Class I
Installation Area	Internal
L80B10 Lifetime (h) @Ta 25 °C	50,000 h

### Compliance

LVD	EN 60598-1:2024, EN 60598-2-2:2012, EN 62471:2008, EN 62493:2015+A1:2022
EMC	EN 55015:2019+A11:2020, EN 61000-3-2:2019+A1:2021, EN 61000-3-3:2013+A1:2019+A2:2021, EN 61547:2023
Others	UKCA, CE, RoHS, WEEE

### Technical Summary

Product Code	NAP6IN20-WHT
Input Voltage Supply	220-240Vac 50/60Hz
Inrush Current (peak/duration) (A)	20A/350µs
Default Power	20 W
Power Factor	0.97
Settable Colour Temperatures	3000K, 4000K, 6000K
CRI	≥82
Dimmable	Y
Lumens Output Maximum	2,000 lm
Maximum Efficiency	100 lm/W
Emergency Luminous Flux	200 lm
L70B50 Lifetime (h) @Ta 25 °C	50,000 h
L80B10 Lifetime (h) @Ta 25 °C	50,000 h
L90B10 Lifetime (h) @Ta 25 °C	28,000 h
Nominal Lifetime (h)	50,000 h
Glow wire temperature(°C)	650
Blue Light Hazard	RG1
Weight	0.45Kg
Dimensions (L x W x D) (mm)	110xØ175
Cut-Out (mm)	Ø150mm
Beam Angle - Lumi (°)	95
LS Energy Efficiency Class	F

Tel: 01635 523 713

Email: [sales@kosnic.com](mailto:sales@kosnic.com)

[Kosnic.com](http://Kosnic.com)



Kosnic Lighting KosnicUK

KosnicLightingUK

**7** 7 Years  
Product Warranty  
UK Only

**2** 2 Years  
On-Site Warranty  
Main-land UK Only

Napa

Kosnic 

06482 NAP6IN20-WHT

## Overview

The Kosnic Napa LED Commercial Downlight has a switchable colour temperature function so that the installer can select 3000k, 4000k or 6000k. The downlight is supplied in white but has the option of silver or polished chrome reflectors and is compatible with Kosnic emergency modules.



## General Information

Ambient Temperature Range (°C)	-20°C to 50°C
IK Rating	IK07
IP Rating	IP44
Nominal Lifetime (h)	50,000 h
Protection Rating	Class I
Installation Area	Internal

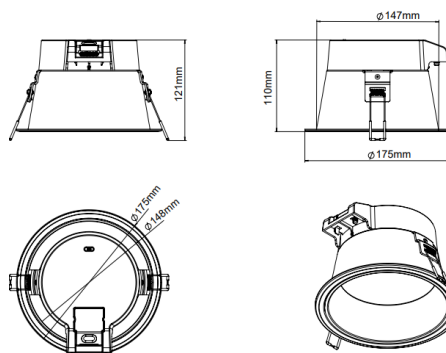
## Optional Gear

Product Code	Description	Type
CYDIMRFT1	RF controlled triac dimmer	Dimmable Driver
EMPAD01	Neka Emergency Downlight kit 2.5W Manual test	Emergency Module
EMPAD01/ST	Neka Emergency Downlight kit 3.5W Self-test	Self-test Emergency Module

## Accessories

Product Code	Description	Type
NAP6IN-SLV	Napa, 6 inch satin silver reflector	Reflector
NAP6IN-CHM	Napa, 6 inch polished chrome reflector	Reflector

Settable (Default in Bold)		Variable					
Rated Power (W)	CCT (K)	Total Luminous Flux (lm)	LS Useful Luminous Flux (lm)	LS Chromaticity Co-Ordinates (X)	LS Chromaticity Co-Ordinates (Y)	LS Peak Luminous Intensity (DLS) (cd)	LS R9 CRI (LED/OLED)
20	3000	1800	1650	0.438	0.402	840	9
<b>20</b>	<b>4000</b>	<b>2000</b>	<b>1750</b>	<b>0.372</b>	<b>0.364</b>	<b>900</b>	<b>26</b>
20	6000	2000	1750	0.318	0.334	900	13



Tel: 01635 523 713

Email: sales@kosnic.com

Kosnic.com



Kosnic Lighting KosnicUK KosnicLightingUK KosnicUK