

06320 MWS-SID

M30 Side-mount microwave motion ON/OFF sensor

- Automatic switching based on presence and ambient light sensing
- Microwave & Light Sensor with Remote Control Setting
- Easy to install on Kosnic LED battens and low bay
- Supports high-sensitivity and low-sensitivity modes
- (for metal ceilings, metal reflector mounting environments)
- Saves more energy



Overview

The Side-mount Microwave Sensor with optional Remote Control that uses light only when and where is needed. With sensitivity setting for motion detection and hold time after motion ends. The product also has a built-in light sensor which can be used to prevent the luminaire from switching on above a set ambient light level.



IP65



General Information

Ambient Temperature Range (°C)	-35°C to 55°C
IP Rating	IP65
Protection Rating	Class II
Installation Area	Internal

Compliance

Others	UKCA, CE, RoHS, WEEE
--------	----------------------

Technical Summary

Product Code	MWS-SID
Weight	0.085Kg
Dimensions (L x W x D) (mm)	73.5x50x36.5

Tel: 01635 523 713

Email: sales@kosnic.com

Kosnic.com



06320 MWS-SID

Accessories

Product Code	Description	Type
MWS-RMT	Infrared remote control for microwave sensor, MH10 (for MWS-ZGA)	Remote Control

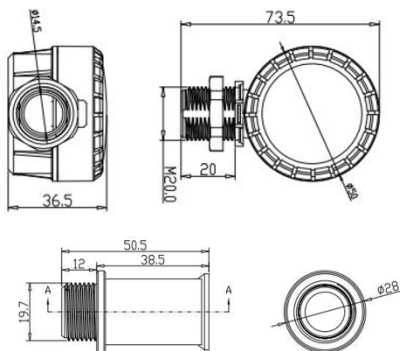
Overview

The Side-mount Microwave Sensor with optional Remote Control that uses light only when and where is needed. With sensitivity setting for motion detection and hold time after motion ends. The product also has a built-in light sensor which can be used to prevent the luminaire from switching on above a set ambient light level.

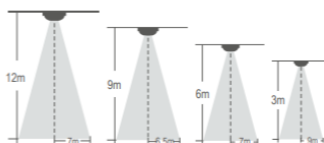


General Information

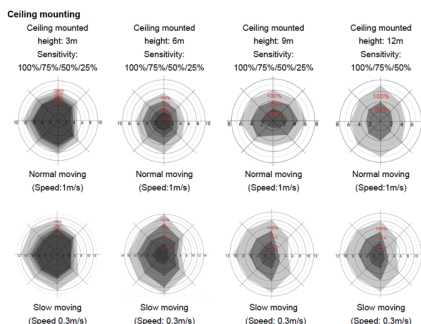
Ambient Temperature Range (°C)	-35°C to 55°C
IP Rating	IP65
Protection Rating	Class II
Installation Area	Internal



Detection Range



Detection area	Detection radius (at 12m, 9m, 6m and 3m height) Walking speed: 1m/s			
100%	7m	6.5m	7m	9m
75%	4m	5m	5m	8m
50%	-	3m	3m	7m
25%	-	-	2m	6.5m



- Only 100%/75%/50% detection sensitivity is workable when installed at 12m mounting height. 25% sensitivity is not able to detect motion signal.

Tel: 01635 523 713

Email: sales@kosnic.com

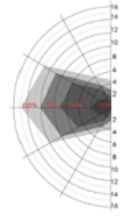
Kosnic.com



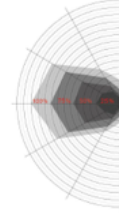
06320 MWS-SID

Wall mounting

Horizon mounted height: 2m
Sensitivity: 100%/75%/50%/25%



Normal moving (Speed: 1m/s)



Slow moving (Speed 0.3m/s)

Overview

The Side-mount Microwave Sensor with optional Remote Control that uses light only when and where is needed. With sensitivity setting for motion detection and hold time after motion ends. The product also has a built-in light sensor which can be used to prevent the luminaire from switching on above a set ambient light level.



General Information

Ambient Temperature Range (°C)	-35°C to 55°C
IP Rating	IP65
Protection Rating	Class II
Installation Area	Internal

Tel: 01635 523 713

Email: sales@kosnic.com

Kosnic.com

