

# Reon LED Globe

06283 GLB11/E27-N27

## REON LED 11w GLB E27 2700K

- Save energy by up to 90%
- Replacement for incandescent lamps



### Overview

The Reon range from Kosnic is a selected line of 20,000 hour, energy saving retrofit LED lamps. Reliable, affordable and easy to install, Reon LEDs surpass the high quality standards that home owners and professionals demand for lower cost applications.



### General Information

Ambient Temperature Range (°C) -20°C to 40°C  
Installation Area Internal

### Technical Summary

Product Code	GLB11/E27-N27
Input Voltage Supply	220-240Vac 50/60Hz
Default Power	11 W
Power Factor	0.55
Default CCT	2,700 K
CRI	≥82
Dimmable	N
Lumens Output Maximum	1,050 lm
Maximum Efficiency	95 lm/W
L70B50 Lifetime (h) @Ta 25 °C	15,000 h
Glow wire temperature(°C)	650
Blue Light Hazard	RG1
Weight	0.085Kg
Dimensions (L x W x D) (mm)	143xØ95
LS Energy Efficiency Class	F

### Compliance

Others UKCA, CE, RoHS, WEEE

Tel: 01635 523 713

Email: [sales@kosnic.com](mailto:sales@kosnic.com)

[Kosnic.com](http://Kosnic.com)

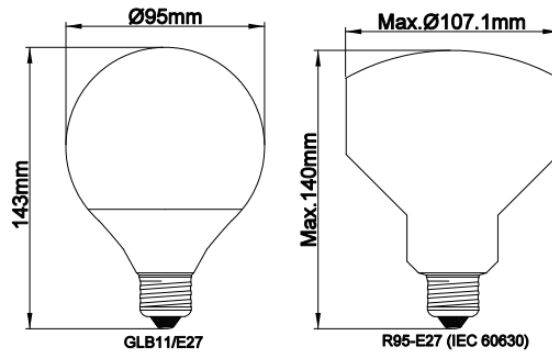


# Reon LED Globe

06283 GLB11/E27-N27

## Overview

The Reon range from Kosnic is a selected line of 20,000 hour, energy saving retrofit LED lamps. Reliable, affordable and easy to install, Reon LEDs surpass the high quality standards that home owners and professionals demand for lower cost applications.



## General Information

Ambient Temperature Range (°C)	-20°C to 40°C
Installation Area	Internal

Tel: 01635 523 713

Email: [sales@kosnic.com](mailto:sales@kosnic.com)

[Kosnic.com](http://Kosnic.com)

