

7 7 Years
Product Warranty
UK Only

2 2 Years
On-Site Warranty
Main-land UK Only

Alto

06207 ALT50-SCT/MS

Alto LED wall pack 50W IP65 CCT switchable motion ON/OFF

- Switchable CCT (3000/4000/6500K)
- Dusk-to-dawn / microwave sensor option
- Optional plug-in emergency modules, available in manual, self-test and DALI
- Die-cast aluminium body & polycarbonate diffuser
- IP65
- BESA box fitting points



Overview

The Alto LED Wall Bulkhead is a low maintenance, robust external lighting for commercial buildings.

Suitable for perimeter lighting, pedestrian lighting and vehicle access area lighting. This range has sensor options: dusk to dawn sensor or a microwave presence sensor.

With a metal base and polycarbonate opal diffuser.



IP65



General Information

| | |
|--------------------------------|-----------------------|
| Ambient Temperature Range (°C) | -20°C to 50°C |
| IK Rating | IK10 |
| IP Rating | IP65 |
| Protection Rating | Class I |
| Installation Area | Internal and External |

Compliance

| | |
|--------|-----------------------------------------------------------------------------------------------------|
| LVD | EN 60598-1:2024, EN 60598-2-1:2021, EN 62031:2020, EN 62493:2015+A1:2022 |
| EMC | EN 55015:2019+A11:2020, EN 61000-3-2:2019+A1:2021, EN 61000-3-3:2013+A1:2019+A2:2021, EN 61547:2023 |
| Others | UKCA, CE, RoHS, WEEE |

Technical Summary

| | |
|------------------------------------|---------------------|
| Product Code | ALT50-SCT/MS |
| Input Voltage Supply | 220-240Vac 50/60Hz |
| Inrush Current (peak/duration) (A) | 15.6A/360µs |
| Default Power | 50 W |
| Driver Code/Part number | Boke |
| Power Factor | 0.98 |
| Settable Colour Temperatures | 3000K, 4000K, 6500K |
| CRI | ≥82 |
| Dimmable | N |
| Lumens Output Maximum | 4,900 lm |
| Maximum Efficiency | 98 lm/W |
| L70B50 Lifetime (h) @Ta 25 °C | 50,000 h |
| L80B20 Lifetime (h) @Ta 25 °C | 50,000 h |
| Nominal Lifetime (h) | 50,000 h |
| Glow wire temperature(°C) | 650 |
| Blue Light Hazard | RG1 |
| Weight | 1.8Kg |
| Dimensions (L x W x D) (mm) | 309x264x115 |
| LS Energy Efficiency Class | E |

Tel: 01635 523 713

Email: sales@kosnic.com

Kosnic.com



Kosnic Lighting KosnicUK

KosnicLightingUK

7 7 Years
Product Warranty
UK Only

2 2 Years
On-Site Warranty
Main-land UK Only

Alto

Kosnic 

06207 ALT50-SCT/MS

Accessories

| Product Code | Description | Type |
|--------------|-------------------------------------------------------|----------------------------|
| EMDD02/ST | 2W self-test emergency module for LED DD and bulkhead | Self-test Emergency Module |
| EMDD02 | 2W standard emergency module for LED DD and bulkhead | Emergency Module |

| Settable (Default in Bold) | Variable | |
|----------------------------|-----------------|--------------------------|
| CCT (K) | Rated Power (W) | Total Luminous Flux (lm) |
| 3000 | 50 | 4600 |
| 4000 | 50 | 4900 |
| 6500 | 50 | 4600 |

Overview

The Alto LED Wall Bulkhead is a low maintenance, robust external lighting for commercial buildings. Suitable for perimeter lighting, pedestrian lighting and vehicle access area lighting. This range has sensor options: dusk to dawn sensor or a microwave presence sensor. With a metal base and polycarbonate opal diffuser.

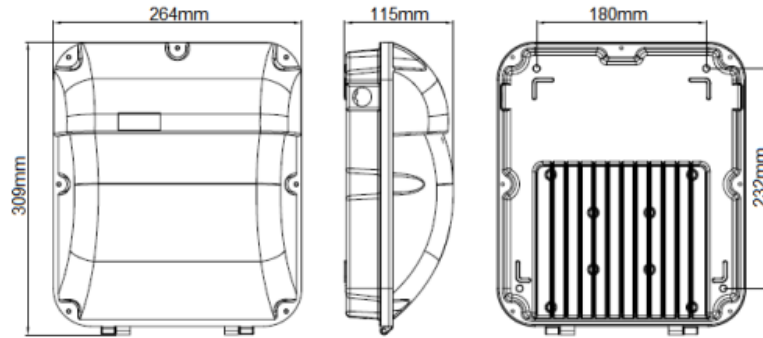


IP65



General Information

| | |
|--------------------------------|-----------------------|
| Ambient Temperature Range (°C) | -20°C to 50°C |
| IK Rating | IK10 |
| IP Rating | IP65 |
| Nominal Lifetime (h) | 50,000 h |
| Protection Rating | Class I |
| Installation Area | Internal and External |



Tel: 01635 523 713

Email: sales@kosnic.com

Kosnic.com



Kosnic Lighting KosnicUK KosnicLightingUK KosnicUK