

# MR11

06122 MR1102-S65

## MR11 2w LED GU4 (12V) 6500K

- Retro-fit size
- Save energy up to 85% compared with halogen lamp
- Designed to work with 12V DC constant Voltage driver
- Negligible UV output



### Overview

The Kosnic range of PowerSpot lamps are suitable for the most demanding of professional users and deliver huge energy savings over halogen lamps, without compromising on brightness. The lamps can replace halogen lamps creating an ambience in accent and general lighting applications for hospitality, commercial and



### General Information

Ambient Temperature Range (°C)	-20°C to 40°C
Installation Area	Internal

### Compliance

LVD	EN 62031:2020, EN 62471:2008, EN 62493:2015+A1:2022, EN 62560:2012+A11:2019
EMC	EN 55015:2019+A11:2020, EN 61000-3-2:2019+A1:2021, EN 61000-3-3:2013+A1:2019+A2:2021, EN 61547:2023
Others	UKCA, CE, RoHS, WEEE

### Technical Summary

Product Code	MR1102-S65
Input Voltage Supply	12Vdc Constant voltage driver
Default Power	2 W
Power Factor	1
Default CCT	6,500 K
CRI	≥82
Dimmable	N
Lumens Output Maximum	240 lm
Maximum Efficiency	120 lm/W
L70B50 Lifetime (h) @Ta 25 °C	15,000 h
Glow wire temperature(°C)	650
Blue Light Hazard	RG1
Weight	0.014Kg
Dimensions (L x W x D) (mm)	39xØ35
LS Energy Efficiency Class	E

Tel: 01635 523 713

Email: [sales@kosnic.com](mailto:sales@kosnic.com)

[Kosnic.com](http://Kosnic.com)



# MR11

06122 MR1102-S65

## Optional Gear

Product Code	Description	Type
CYV015NNC125	15W 12V constant voltage LED driver	Dimmable Driver

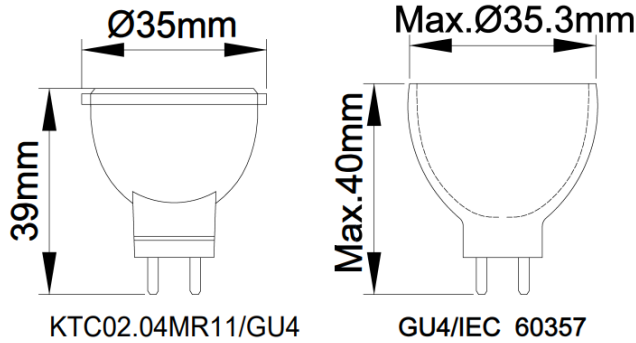
## Overview

The Kosnic range of PowerSpot lamps are suitable for the most demanding of professional users and deliver huge energy savings over halogen lamps, without compromising on brightness. The lamps can replace halogen lamps creating an ambience in accent and general lighting applications for hospitality, commercial and



## General Information

Ambient Temperature Range (°C)	-20°C to 40°C
Installation Area	Internal



Tel: 01635 523 713

Email: [sales@kosnic.com](mailto:sales@kosnic.com)

[Kosnic.com](http://Kosnic.com)

