

7 7 Years
Product Warranty
UK Only

2 2 Years
On-Site Warranty
Main-land UK Only

Tatio

05244 KWWDL15-S30-CHM

Tatio Wall Washer Downlight 15w 36° 3000K, Chrome

- High performance CREE COB LED
- Optional add-on emergency kits, available in manual and self-test
- Negligible UV, ideal for retail application



Overview

The Tatio LED Wall Washer Downlight rotates through 350 degrees and has a 35 degree tilt. Available in varies CCT and has a high CRI, suitable for retail display, showrooms, entertainment and hospitality. Made from cast aluminium with a high-quality reflector the Kosnic Tatio delivers a highly efficient, high quality lighting



General Information

Ambient Temperature Range (°C)	-20°C to 50°C
IP Rating	IP20
Protection Rating	Class II
Installation Area	Internal

Compliance

LVD	EN 60598-1:2024, EN 60598-2-1:2021, EN 62493:2015+A1:2022
EMC	EN 55015:2019+A11:2020, EN 61000-3-2:2019+A1:2021, EN 61000-3-3:2013+A1:2019+A2:2021, EN 61547:2023
Others	UKCA, CE, RoHS, WEEE

Technical Summary

Product Code	KWWDL15-S30-CHM
Input Voltage Supply	220-240Vac 50/60Hz
Default Power	15 W
Driver Code/Part number	PE096B1435
Driver Maximum Power (W)	15 W
Driver Output Current (mA)	350
Power Factor	0.95
Driver Power Factor	0.9
Default CCT	3,000 K
SDCM of CCT	<6
CRI	82
Dimmable	N
Lumens Output Maximum	1,250 lm
Maximum Efficiency	83 lm/W
Emergency Luminous Flux	380 lm
Nominal Lifetime (h)	50,000 h
Weight	0.43Kg
Dimensions (L x W x D) (mm)	65xØ100
Cut-Out (mm)	Ø92mm
Beam Angle - Lumi (°)	36

Tel: 01635 523 713

Email: sales@kosnic.com

Kosnic.com



Kosnic Lighting KosnicUK KosnicLightingUK

7 7 Years
Product Warranty
UK Only

2 2 Years
On-Site Warranty
Main-land UK Only

Tatio



05244 KWWDL15-S30-CHM

Optional Gear

Product Code	Description	Type
EMPAD01	Neka Emergency Downlight kit 2.5W Manual test	Emergency Module

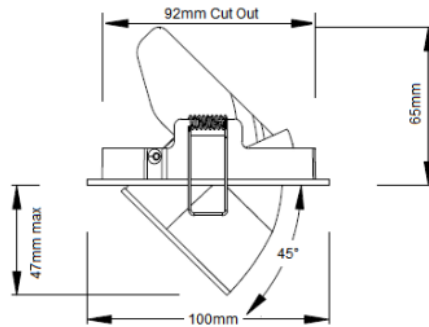
Overview

The Tatio LED Wall Washer Downlight rotates through 350 degrees and has a 35 degree tilt. Available in varies CCT and has a high CRI, suitable for retail display, showrooms, entertainment and hospitality. Made from cast aluminium with a high-quality reflector the Kosnic Tatio delivers a highly efficient, high quality lighting



General Information

Ambient Temperature Range (°C)	-20°C to 50°C
IP Rating	IP20
Nominal Lifetime (h)	50,000 h
Protection Rating	Class II
Installation Area	Internal



Tel: 01635 523 713

Email: sales@kosnic.com

Kosnic.com

