

Filament LED GLS

04623 KDFL4.5GLS/B22-CLR-N27

4.5w Dimmable Filament GLS B22 CLEAR, 2700K

- Linear LED filament provides a traditional appearance
- Save energy up to 90% compared with an incandescent filament lamp
- Even light distribution



Overview

The Kosnic Dimmable LED Filament lamp has a traditional appearance and gives an even spread of light in all directions. It is also highly functional and efficient, giving a quality of light that creates inviting living spaces while offering huge energy savings over filament lamps without compromising on brightness.



General Information

Ambient Temperature Range (°C)	-20°C to 40°C
Installation Area	Internal

Technical Summary

Product Code	KDFL4.5GLS/B22-CLR-N27
Input Voltage Supply	220-240Vac 50/60Hz
Default Power	4.5 W
Default CCT	2,700 K
CRI	≥82
Dimmable	Y
Lumens Output Maximum	470 lm
Maximum Efficiency	104 lm/W
Weight	0.04Kg
Dimensions (L x W x D) (mm)	98xØ55



Kosnic Lighting



KosnicUK



KosnicLightingUK



KosnicUK

Tel: 01635 523 713

Email: sales@kosnic.com

Kosnic.com

Filament LED GLS

04623 KDFL4.5GLS/B22-CLR-N27

Optional Gear

Product Code	Description	Type
CYDIMRFT1	RF controlled triac dimmer	Dimmable Driver

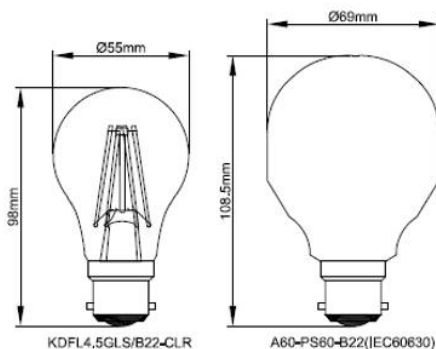
Overview

The Kosnic Dimmable LED Filament lamp has a traditional appearance and gives an even spread of light in all directions. It is also highly functional and efficient, giving a quality of light that creates inviting living spaces while offering huge energy savings over filament lamps without compromising on brightness.



General Information

Ambient Temperature Range (°C)	-20°C to 40°C
Installation Area	Internal



Kosnic Lighting



KosnicUK



KosnicLightingUK



KosnicUK

Tel: 01635 523 713

Email: sales@kosnic.com

Kosnic.com