

Colour Golf

00270 KLED01GLF/B22-GR

1w LED Golf B22 30000hrs Green

- Save energy up to 85% compared with filament lamps
- Available in White, Blue, Green, Red or Yellow
- Suitable for use in outdoor festoons designed for golf ball lamps
- Even light distribution
- Popular B22 and E27 caps



Overview

The Kosnic Home range of LED products brings the energy saving capabilities of LED technology to the home. The LED Golf Ball lamps can quickly replace filament products in decorative lighting applications and are suitable for use in lighting festoons but as decorative lamps they are not intended for household room illumination.



General Information

Ambient Temperature Range (°C)	-20°C to 40°C
Installation Area	Internal

Technical Summary

Product Code	KLED01GLF/B22-GR
Input Voltage Supply	220-240Vac 50/60Hz
Default Power	1 W
Power Factor	0.32
Default CCT	6,500 K
SDCM of CCT	<6
CRI	≥82
Dimmable	N
Lumens Output Maximum	65 lm
Maximum Efficiency	65 lm/W
Nominal Lifetime (h)	15,000 h
Weight	0.01Kg
Dimensions (L x W x D) (mm)	67xØ45
LS Energy Efficiency Class	G

Compliance

LVD	EN 62031:2020, EN 62471:2008, EN 62493:2015+A1:2022, EN 62560:2012+A11:2019
EMC	EN 55015:2019+A11:2020, EN 61000-3-2:2019+A1:2021, EN 61000-3-3:2013+A1:2019+A2:2021, EN 61547:2023
Others	UKCA, CE, RoHS, WEEE

Tel: 01635 523 713

Email: sales@kosnic.com

Kosnic.com



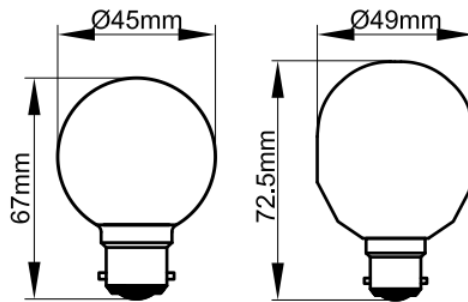
Kosnic Lighting KosnicUK KosnicLightingUK

Colour Golf

00270 KLED01GLF/B22-GR

Overview

The Kosnic Home range of LED products brings the energy saving capabilities of LED technology to the home. The LED Golf Ball lamps can quickly replace filament products in decorative lighting applications and are suitable for use in lighting festoons but as decorative lamps they are not intended for household room illumination.



KLED01.02GLF/B22 P45-B22(IEC 60630)

General Information

Ambient Temperature Range (°C)	-20°C to 40°C
Nominal Lifetime (h)	15,000 h
Installation Area	Internal

Tel: 01635 523 713

Email: sales@kosnic.com

Kosnic.com

