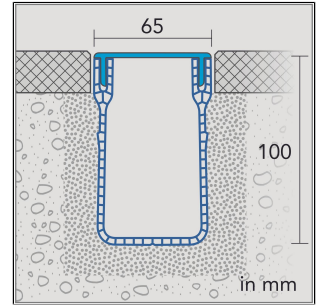
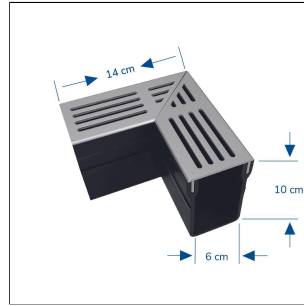
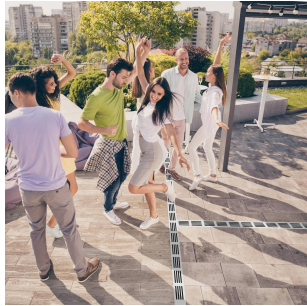




U-DRAIN PRO X

Internal and external corner (channel and cover) for drainage channel U-DRAIN PRO 65/105



TECHNICAL DIMENSIONS AND PRODUCT VARIANTS

Material	[Aluminium],[PVC]
Surface	[anodised]
Colour	silver, black
Height	50 mm, 100 mm
Width mm	60 mm, 100 mm
dimension	190 x 190 mm, 140 x 140 mm

PRODUCT VARIANTS

Ident	Height	Surface	Colour
UDP 5033-100-X	50 mm	anodised	black
UDP 50-100-X	50 mm	anodised	silver
UDP 10033-65-X	100 mm	anodised	black
UDP 100-65-X	100 mm	anodised	silver

Please note: For technical reasons, tolerances in color effects of the materials and print are possible. All information is based on the best of our knowledge and belief. No guarantee can be derived from this. We reserve the right to any technical changes if they are in the interest of progress or if they are production-related.