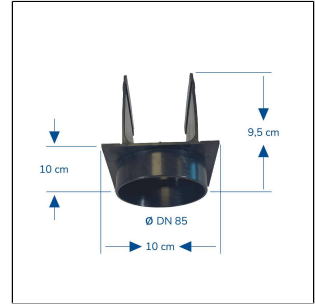
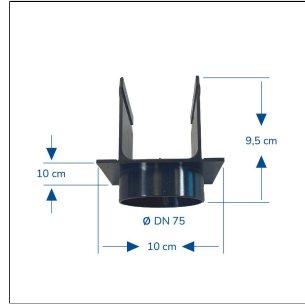
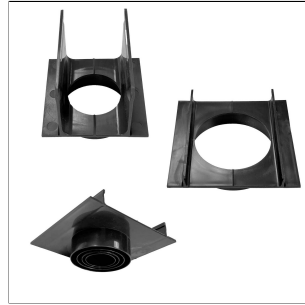
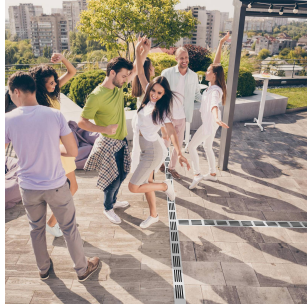




# U-DRAIN PRO V

Vertical drain for U-DRAIN PRO drainage channel 65/105.



## TECHNICAL DIMENSIONS AND PRODUCT VARIANTS

Material	[PVC]
Length	13.5 cm, 10 cm
Height	45 mm, 95 mm
Width mm	100 mm, 140 mm

## PRODUCT VARIANTS

Ident	Height	Length
UDP 50-100 VO	45 mm	13.5 cm
UDP 50-100 VVO	45 mm	13.5 cm
UDP 100-65 VO DN 75	95 mm	10 cm
UDP 100-65 VO DN 85	95 mm	10 cm

Please note: For technical reasons, tolerances in color effects of the materials and print are possible. All information is based on the best of our knowledge and belief. No guarantee can be derived from this. We reserve the right to any technical changes if they are in the interest of progress or if they are production-related.