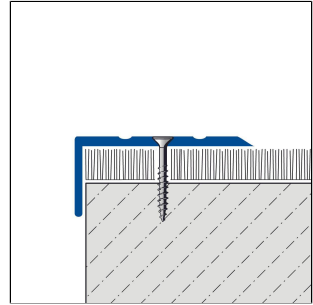
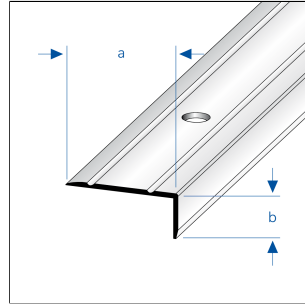
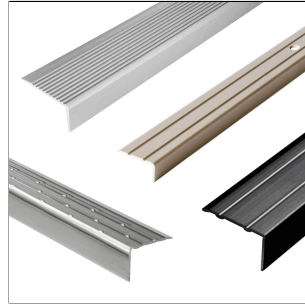




PROTECT

Stair nosing profile for retrofitting, suitable for all coverings



TECHNICAL DIMENSIONS AND PRODUCT VARIANTS

Material	[Aluminium], [Brass], [Stainless Steel (304)]
Surface	[powder coated], [anodised], [natural], [high-gloss polished]
Colour	silver, champagne, titanium, natural, black matt (RAL 9005)
Length	90 cm, 100 cm, 250 cm, 270 cm
sight width	17 mm, 20 mm, 25 mm, 30 mm, 40 mm, 45 mm
Height	10 mm, 17 mm, 20 mm, 30 mm, 40 mm
Width mm	20 mm, 25 mm, 30 mm, 34 mm, 40 mm, 45 mm

PRODUCT VARIANTS

Ident	Height	Surface	Colour	Length
PTAE 2500/10-C/100	10 mm	anodised	champagne	100 cm
PTAE 2500/10-C-SK/100	10 mm	anodised	champagne	100 cm
PTAE 2500/10-C/270	10 mm	anodised	champagne	270 cm
PTAE 2500/10-C-SK/270	10 mm	anodised	champagne	270 cm
PTAE 2500/10/90	10 mm	anodised	silver	90 cm
PTAE 2500/10-SK/90	10 mm	anodised	silver	90 cm
PTAE 2500/10/100	10 mm	anodised	silver	100 cm
PTAE 2500/10-SK/100	10 mm	anodised	silver	100 cm
PTAE 2500/10/270	10 mm	anodised	silver	270 cm
PTAE 2500/10-SK/270	10 mm	anodised	silver	270 cm
PTAE 2500/10-T/100	10 mm	anodised	titanium	100 cm
PTAE 2500/10-T-SK/100	10 mm	anodised	titanium	100 cm
PTAE 2500/10-T/270	10 mm	anodised	titanium	270 cm
PTAE 2500/10-T-SK/270	10 mm	anodised	titanium	270 cm
PTACM 2511/10-SK/270	10 mm	powder coated	black matt (RAL 9005)	270 cm
PTACM 2511/10/270	10 mm	powder coated	black matt (RAL 9005)	270 cm
PTE 3400/17/250	17 mm	natural	natural	250 cm
PTAE 2500/20-C/100	20 mm	anodised	champagne	100 cm
PTAE 2500/20-C-SK/100	20 mm	anodised	champagne	100 cm

Please note: For technical reasons, tolerances in color effects of the materials and print are possible. All information is based on the best of our knowledge and belief. No guarantee can be derived from this. We reserve the right to any technical changes if they are in the interest of progress or if they are production-related.



PTAE 2500/20-C/270	20 mm	anodised	champagne	270 cm
PTAE 2500/20-C-SK/270	20 mm	anodised	champagne	270 cm
PTAE 2500/20/90	20 mm	anodised	silver	90 cm
PTAE 2500/20-SK/90	20 mm	anodised	silver	90 cm
PTAE 4500/20/90	20 mm	anodised	silver	90 cm
PTAE 4500-U/20/90	20 mm	anodised	silver	90 cm
PTAE 2500/20/100	20 mm	anodised	silver	100 cm
PTAE 2500/20-SK/100	20 mm	anodised	silver	100 cm
PTAE 4500/20/100	20 mm	anodised	silver	100 cm
PTAE 4500-U/20/100	20 mm	anodised	silver	100 cm
PTAE 2500/20/270	20 mm	anodised	silver	270 cm
PTAE 2500/20-SK/270	20 mm	anodised	silver	270 cm
PTAE 4500/20/270	20 mm	anodised	silver	270 cm
PTAE 4500-U/20/270	20 mm	anodised	silver	270 cm
PTAE 2500/20-T/100	20 mm	anodised	titanium	100 cm
PTAE 2500/20-T-SK/100	20 mm	anodised	titanium	100 cm
PTAE 2500/20-T/270	20 mm	anodised	titanium	270 cm
PTAE 2500/20-T-SK/270	20 mm	anodised	titanium	270 cm
PTM 2000/20/250	20 mm	high-gloss polished	natural	250 cm
PTM 2000/U 20/250	20 mm	high-gloss polished	natural	250 cm
PTACM 2511/20-SK/270	20 mm	powder coated	black matt (RAL 9005)	270 cm
PTACM 2511/20/270	20 mm	powder coated	black matt (RAL 9005)	270 cm
PTM 3000/30/250	30 mm	high-gloss polished	natural	250 cm
PTM 3000-U/30/250	30 mm	high-gloss polished	natural	250 cm
PTAE 4500/40/250	40 mm	anodised	silver	250 cm

MATERIAL

Aluminium can be used wherever medium mechanical loads are expected. Contact with alkaline materials (e.g. tile adhesive) can cause discolouration that is difficult to remove.

Stainless steel V2A/304 is particularly suitable for applications subject to high mechanical stress and for applications with particularly high requirements for cleanliness, hygiene and chemical resistance. Contact with products containing hydrochloric acid should be avoided. Tools made of unalloyed steel must not be used during processing. Open cut edges are not rust-resistant. If necessary, separate rust protection should be applied. Even with stainless steel, flash rust is possible depending on the environmental conditions and should be removed immediately.

Please note: For technical reasons, tolerances in color effects of the materials and print are possible. All information is based on the best of our knowledge and belief. No guarantee can be derived from this. We reserve the right to any technical changes if they are in the interest of progress or if they are production-related.



Suitability with regard to mechanical and chemical resistance must always be checked on a case-by-case basis.

PROCESSING

1. Place the profile on the substrate and align it.
2. Secure the profile to the floor according to the specified design.
3. Cut the profile at an angle to form corners. Seal the mitre joint with a neutral cross-linked silicon.

To cut stainless steel, use a slow-running angle grinder with a suitable cutting disc. Prevent cutting sparks from depositing on the profile surfaces.

The generally accepted rules of technology must be observed. Suitability with regard to mechanical and chemical resistance must always be checked in each individual case.

CARE

Aluminium does not require any special care. If necessary, it can be cleaned with clear, clean water and a few drops of washing-up liquid. Then wipe dry.

Stainless steel (304) does not require any special care. If necessary, it can be cleaned with clear, clean water and a few drops of washing-up liquid. Then wipe dry. Flash rust can be removed with commercially available polishes suitable for stainless steel.

Avoid using acidic, alkaline and abrasive cleaning agents.

Please note: For technical reasons, tolerances in color effects of the materials and print are possible.
All information is based on the best of our knowledge and belief. No guarantee can be derived from this.
We reserve the right to any technical changes if they are in the interest of progress or if they are production-related.