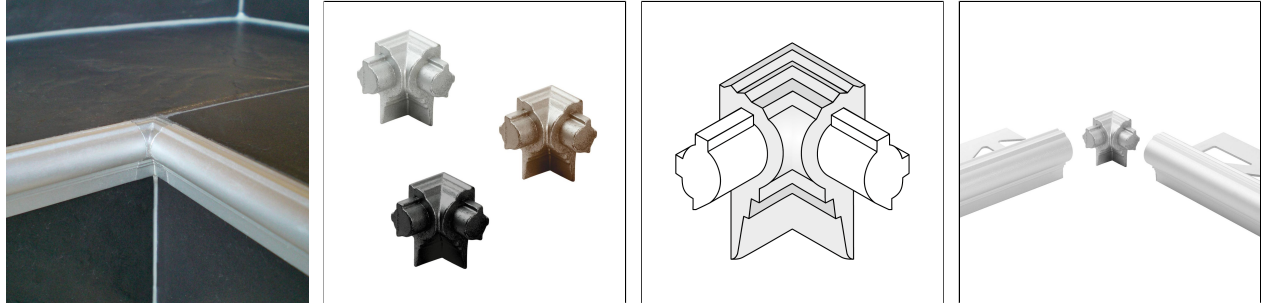




# FLORENTOSTEP

Internal corner for stair nosing profile FLORENTOSTEP



## TECHNICAL DIMENSIONS AND PRODUCT VARIANTS

Material	[Metal die-cast]
Surface	[powder coated], [anodised]
Colour	titanium, silver, black matt (RAL 9005)
Height	13.5 mm, 9 mm, 11 mm

## PRODUCT VARIANTS

Ident	Height	Surface	Colour
FSTAE 90-XI/2	9 mm	anodised	silver
FSTAE 90-T-XI/2	9 mm	anodised	titanium
FSTACM 911-XI/2	9 mm	powder coated	black matt (RAL 9005)
FSTAE 110-XI/2	11 mm	anodised	silver
FSTAE 110-T-XI/2	11 mm	anodised	titanium
FSTACM 1111-XI/2	11 mm	powder coated	black matt (RAL 9005)
FSTAE 135-XI/2	13.5 mm	anodised	silver
FSTACM 1311-XI/2	13.5 mm	powder coated	black matt (RAL 9005)

## MATERIAL

Aluminium can be used wherever a medium mechanical load-bearing capacity is to be expected. Contact with alkaline materials (e.g. tile adhesive) can lead to discolouration, which can hardly be removed afterwards. High humidity during the drying phase can intensify this process. Always wipe off tile adhesive or grout on visible surfaces immediately with plenty of water, then wipe dry and ensure that the room is well ventilated.

Suitability in terms of mechanical and chemical resistance must always be checked on a case-by-case basis.

## PROCESSING

1. Select the profile according to the tile thickness.
2. Apply tile adhesive with a notched trowel.
3. Press the profile into the adhesive bed and align.
4. Fill over the entire surface of the fixing leg.

Please note: For technical reasons, tolerances in color effects of the materials and print are possible. All information is based on the best of our knowledge and belief. No guarantee can be derived from this. We reserve the right to any technical changes if they are in the interest of progress or if they are production-related.



5. Press the tiles firmly into place and align them so that they are flush with the upper edge of the profile. Lay the tiles fully flush.
- 6 Use suitable inner or outer corner pieces.
7. Leave a joint of 1-2 mm to the profile.
8. Fill the space between the tiles and the profile completely with grout.

Protect visible surfaces from contact with tile adhesive or grout and, if necessary, clean immediately with a cloth and clean water. Then rub dry.

The generally recognised rules of technology must be observed. Suitability in terms of mechanical and chemical resistance must always be checked on a case-by-case basis.

### CARE

Aluminium does not require any special care. If necessary, it can simply be damp-cleaned with clear, clean water and a few drops of washing-up liquid. Then wipe dry.

Acidic and abrasive cleaning agents should be avoided.

Please note: For technical reasons, tolerances in color effects of the materials and print are possible.  
All information is based on the best of our knowledge and belief. No guarantee can be derived from this.  
We reserve the right to any technical changes if they are in the interest of progress or if they are production-related.