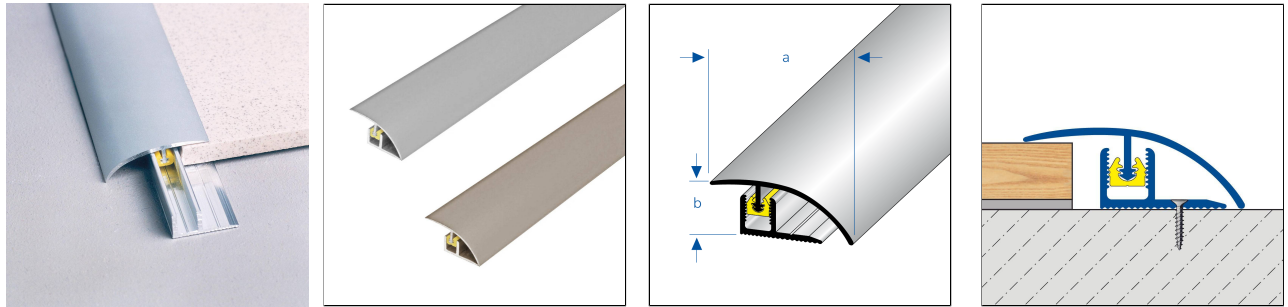




CLIPPER Finish

Adjustable height profile made of aluminium



PROPERTIES

Height from 6-8 mm with yellow PVC clip.

Maximum height up to 14 mm with additional red PVC extension clip.

Includes fastening material

MATERIAL

Aluminium can be used wherever medium mechanical stress is to be expected. Contact with alkaline materials (e.g. tile adhesive) can lead to discolouration, which is difficult to remove afterwards. High humidity can intensify this process. Dirt deposits can be removed with standard cleaning agents. Cleaning agents must be free of scouring powder or aggressive additives.

The suitability with regard to mechanical and chemical resistance must always be checked in each individual case.

CARE

Aluminium does not require any special care. If necessary, it can be cleaned with clear, clean water and a drop of washing-up liquid. Then wipe dry.

Avoid using acidic, alkaline and abrasive cleaning agents.

PROCESSING

1. Cut the profiles to size. Align the basic trim on the floor, mark it and mark the drill holes.
2. Secure the basic trim (with yellow plastic hinge inserted) to the marked position using screws and dowels.
3. Lay the floor covering with sufficient expansion joint spacing.
4. Place the top profile on the plastic hinge and adjust the angle if necessary.
5. Clip the top profile into the plastic hinge using a rubber mallet.

The profile will adjust to the respective height.

The generally accepted rules of technology and tiling must be observed. Suitability for use with mechanical and chemical resistance must always be checked in each individual case.

Please note: For technical reasons, tolerances in color effects of the materials and print are possible. All information is based on the best of our knowledge and belief. No guarantee can be derived from this. We reserve the right to any technical changes if they are in the interest of progress or if they are production-related.



TECHNICAL DIMENSIONS AND PRODUCT VARIANTS

Material	[Aluminium]
Surface	[anodised]
Colour	silver, champagne, titanium
Length	90 cm, 100 cm, 270 cm
sight width	36 mm
Height	6 mm
Width mm	36 mm
height up to	14 mm

PRODUCT VARIANTS

Ident	Height	Surface	Colour	Length
F 2000-C/90	6 mm	anodised	champagne	90 cm
F 2000-C/100	6 mm	anodised	champagne	100 cm
F 2000-C/270	6 mm	anodised	champagne	270 cm
F 2000/90	6 mm	anodised	silver	90 cm
F 2000/100	6 mm	anodised	silver	100 cm
F 2000/270	6 mm	anodised	silver	270 cm
F 2000-T/90	6 mm	anodised	titanium	90 cm
F 2000-T/100	6 mm	anodised	titanium	100 cm
F 2000-T/270	6 mm	anodised	titanium	270 cm

Please note: For technical reasons, tolerances in color effects of the materials and print are possible. All information is based on the best of our knowledge and belief. No guarantee can be derived from this. We reserve the right to any technical changes if they are in the interest of progress or if they are production-related.