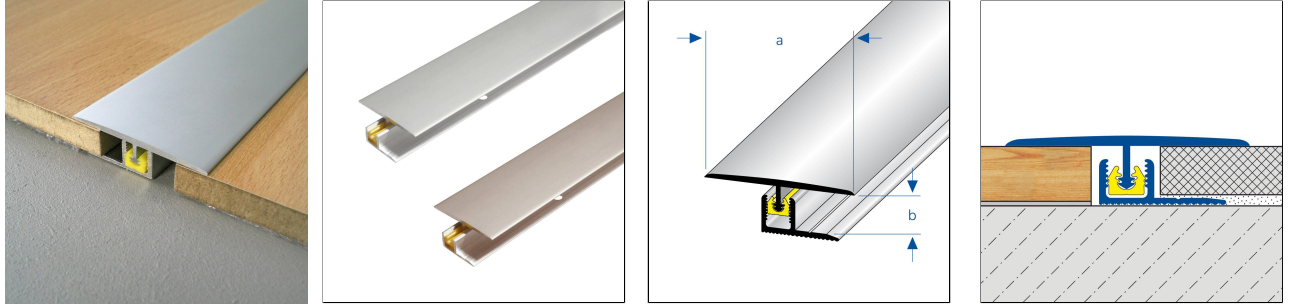




CLIPPER EXPANSION



TECHNICAL DIMENSIONS AND PRODUCT VARIANTS

Material	Aluminium
Surface	anodised
Colour	silver, titanium
Length	100 cm, 270 cm
Sichtbreite (a)	40 mm
Höhe (b)	7 mm

PRODUCT VARIANTS

Ident	Höhe (b)	Surface	Colour	Length
E 2000/100	7 mm	anodised	silver	100 cm
E 2000/270	7 mm	anodised	silver	270 cm
E 2000-T/100	7 mm	anodised	titanium	100 cm
E 2000-T/270	7 mm	anodised	titanium	270 cm

02 January 2025 05:11 PM

Please note: For technical reasons, tolerances in color effects of the materials and print are possible. All information is based on the best of our knowledge and belief. No guarantee can be derived from this. We reserve the right to any technical changes if they are in the interest of progress or if they are production-related.