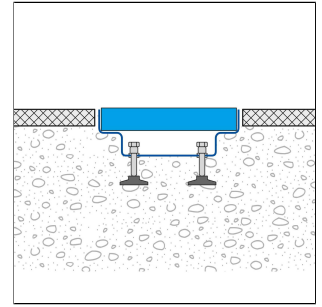
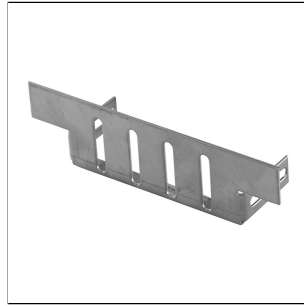




DW-DRAIN 160

End Cap For Drainage Channel



TECHNICAL DIMENSIONS AND PRODUCT VARIANTS

Material	Steel, Stainless Steel (304)
Surface	natural, galvanised
Colour	silver
Height (b)	40 mm
Width mm	160 mm

PRODUCT VARIANTS

Ident	Height (b)	Surface	Colour
DWD-VZ 40-160-XK/1	40 mm	galvanised	
DWD-E 40-160-XK/1	40 mm	natural	silver

25 April 2025 07:10 PM

Please note: For technical reasons, tolerances in color effects of the materials and print are possible. All information is based on the best of our knowledge and belief. No guarantee can be derived from this. We reserve the right to any technical changes if they are in the interest of progress or if they are production-related.