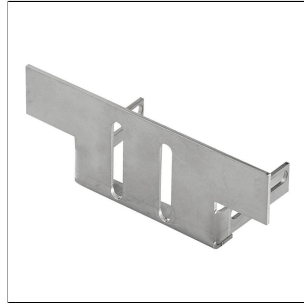




DW-DRAIN 100

End cap for Drainage channel DW-DRAIN 100



TECHNICAL DIMENSIONS AND PRODUCT VARIANTS

Material	[Steel], [Stainless Steel (304)]
Surface	[natural], [galvanised]
Colour	natural
Height	40 mm
Width mm	100 mm

PRODUCT VARIANTS

Ident	Height	Surface	Colour
DWD-VZ 40-100-XK/1	40 mm	galvanised	natural
DWD-E 40-100-XK/1	40 mm	natural	natural

Please note: For technical reasons, tolerances in color effects of the materials and print are possible. All information is based on the best of our knowledge and belief. No guarantee can be derived from this. We reserve the right to any technical changes if they are in the interest of progress or if they are production-related.