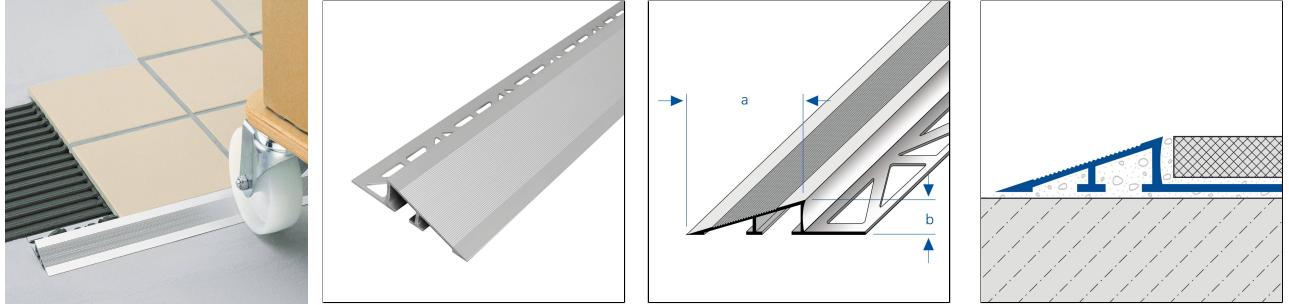




# DURATRANS



## TECHNICAL DIMENSIONS AND PRODUCT VARIANTS

Material	Aluminium
Surface	powder coated, natural, anodised
Colour	natural, satin silver, silver, black matt (RAL 9005)
Length	250 cm
Höhe (b)	12.5 mm, 11 mm, 15 mm, 20 mm

## PRODUCT VARIANTS

Ident	Höhe (b)	Surface	Colour	Length
DTAE 110-L/250	11 mm	anodised	satin silver	250 cm
DTA 110-L/250	11 mm	natural	natural	250 cm
DTACM 1111-L/250	11 mm	powder coated	black matt (RAL 9005)	250 cm
DTAE 125-L/250	12.5 mm	anodised	silver	250 cm
DTA 125-L/250	12.5 mm	natural	natural	250 cm
DTACM 1211-L/250	12.5 mm	powder coated	black matt (RAL 9005)	250 cm
DTAE 150-L/250	15 mm	anodised	silver	250 cm
DTA 150-L/250	15 mm	natural	natural	250 cm
DTACM 1511-L/250	15 mm	powder coated	black matt (RAL 9005)	250 cm
DTAE 200-L/250	20 mm	anodised	satin silver	250 cm
DTA 200-L/250	20 mm	natural	natural	250 cm
DTACM 2011-L/250	20 mm	powder coated	black matt (RAL 9005)	250 cm

14 January 2025 01:48 AM

Please note: For technical reasons, tolerances in color effects of the materials and print are possible. All information is based on the best of our knowledge and belief. No guarantee can be derived from this. We reserve the right to any technical changes if they are in the interest of progress or if they are production-related.