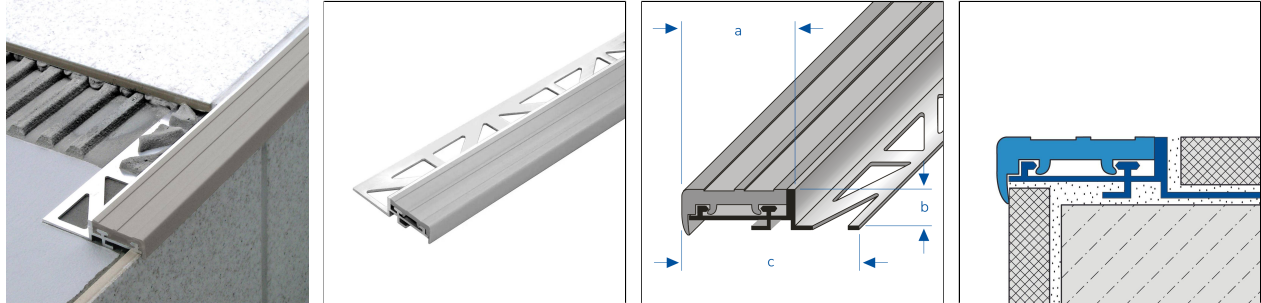




# DURASTEP STANDARD

## Stair nosing profile with PVC insert for tiled stairs



### TECHNICAL DIMENSIONS AND PRODUCT VARIANTS

Material	[Aluminium],[PVC]
Colour	black, grey
Length	100 cm, 250 cm
sight width	25 mm
Height	9 mm, 11 mm
Width mm	25 mm

### PRODUCT VARIANTS

Ident	Height	Colour	Length
DSTS 933/100	9 mm	black	100 cm
DSTS 933/250	9 mm	black	250 cm
DSTS 938/100	9 mm	grey	100 cm
DSTS 938/250	9 mm	grey	250 cm
DSTS 1133/100	11 mm	black	100 cm
DSTS 1133/250	11 mm	black	250 cm
DSTS 1138/100	11 mm	grey	100 cm
DSTS 1138/250	11 mm	grey	250 cm

### MATERIAL

Aluminium can be used wherever medium mechanical stress is to be expected. Contact with alkaline materials (e.g. tile adhesive) can cause discolouration that is almost impossible to remove. High humidity during the drying phase can intensify this process. Always wipe tile adhesive or grout off visible surfaces immediately with plenty of water, then wipe dry and ensure good ventilation.

PVC is particularly suitable for indoor and outdoor areas with low mechanical stress. The material is solid-coloured and therefore UV-resistant under normal circumstances, but colour differences may occur with constant UV exposure. Note: When using coloured grout with ultra-fine colour pigments in combination with plastic profiles, irreversible staining of the profiles may occur. We recommend the use of appropriate protective measures.

Please note: For technical reasons, tolerances in color effects of the materials and print are possible. All information is based on the best of our knowledge and belief. No guarantee can be derived from this. We reserve the right to any technical changes if they are in the interest of progress or if they are production-related.



The suitability with regard to mechanical and chemical resistance must always be checked in each individual case.

## PROCESSING

1. Select the profile according to the tile thickness.
2. Apply tile adhesive with a notched trowel.
3. Press the profile into the adhesive bed and align it.
4. Fill the fixing flange completely with adhesive.
5. Press the tiles firmly into place and align them so that they are flush with the top edge of the profile. Lay the tiles so that they are completely covered.
6. Cut the profile to mitre for corner formation. Seal the mitre joint with a neutral cross-linked silicon.
7. Leave a 1-2 mm joint between the profile and the tiles.
8. Fill the space between the tiles and the profile completely with joint mortar.

Protect visible surfaces from contact with tile adhesive or grout and clean immediately with a cloth and clear water if necessary. Then rub dry.

The generally accepted rules of technology and tiling must be observed. Suitability for use with mechanical and chemical resistance must always be checked in each individual case.

## CARE

Aluminium does not require any special care. If necessary, it can be cleaned with clear, clean water and a few drops of washing-up liquid. Then wipe dry. Avoid using acidic and abrasive cleaning agents.

PVC does not require any special care. If necessary, it can be cleaned simply with clear, clean water and a few drops of washing-up liquid. Avoid using cleaning agents containing solvents or abrasives.

Please note: For technical reasons, tolerances in color effects of the materials and print are possible.  
All information is based on the best of our knowledge and belief. No guarantee can be derived from this.  
We reserve the right to any technical changes if they are in the interest of progress or if they are production-related.