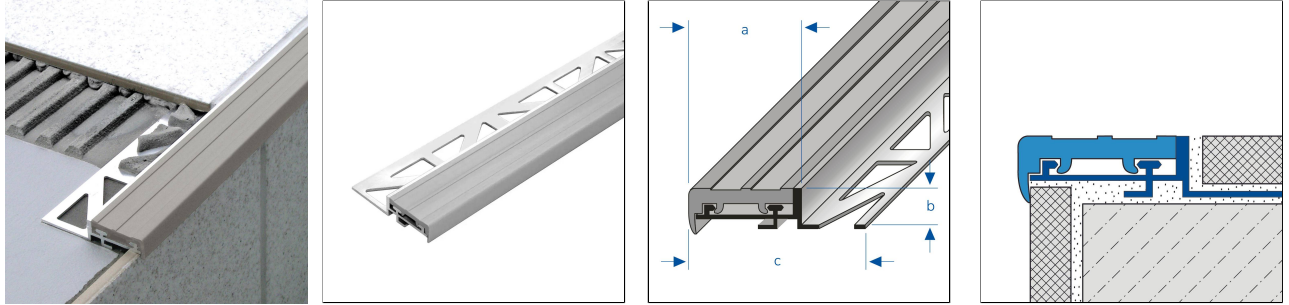




DURASTEP STANDARD



TECHNICAL DIMENSIONS AND PRODUCT VARIANTS

Material	Aluminium,PVC
Colour	black, grey
Length	250 cm
Sichtbreite (a)	25 mm
Höhe (b)	9 mm, 11 mm

PRODUCT VARIANTS

Ident	Höhe (b)	Colour	Length
DSTS 933/250	9 mm	black	250 cm
DSTS 938/250	9 mm	grey	250 cm
DSTS 1133/250	11 mm	black	250 cm
DSTS 1138/250	11 mm	grey	250 cm

02 January 2025 06:38 PM

Please note: For technical reasons, tolerances in color effects of the materials and print are possible. All information is based on the best of our knowledge and belief. No guarantee can be derived from this. We reserve the right to any technical changes if they are in the interest of progress or if they are production-related.