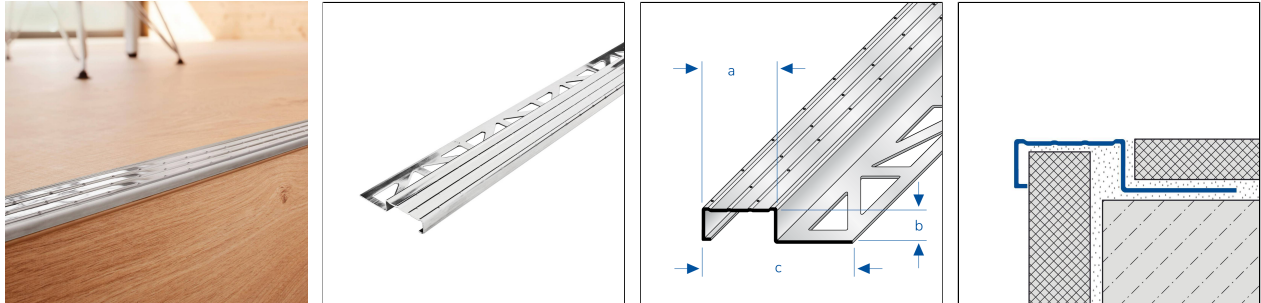




# DURASTEP SOLID Stainless Steel (304)

Stair nosing profile with slip resistance class R10/V6 for tiled stairs



## TECHNICAL DIMENSIONS AND PRODUCT VARIANTS

Material	[Stainless Steel (304)]
Surface	[natural]
Colour	natural
Length	150 cm, 250 cm
sight width	30 mm
Height	9 mm, 11 mm
Width mm	30 mm

## PRODUCT VARIANTS

Ident	Height	Surface	Colour	Length
DSTOE 90/150	9 mm	natural	natural	150 cm
DSTOE 90/250	9 mm	natural	natural	250 cm
DSTOE 110/150	11 mm	natural	natural	150 cm
DSTOE 110/250	11 mm	natural	natural	250 cm

### Data sheet Accessories

Slip resistance class R11, displacement space V6

Matching end caps are available as accessories.

### PROPERTIES

Slip resistance class R11, displacement space V6

### MATERIAL

Stainless steel (304) is particularly suitable for applications subject to high mechanical stress and for applications with particularly high requirements for cleanliness, hygiene and chemical resistance. Contact with products containing hydrochloric acid should be avoided.

No tools made of unalloyed steel may be used during processing. Open cut edges are not rust-resistant. If necessary, separate rust protection must be applied there.

Please note: For technical reasons, tolerances in color effects of the materials and print are possible. All information is based on the best of our knowledge and belief. No guarantee can be derived from this. We reserve the right to any technical changes if they are in the interest of progress or if they are production-related.



Even with stainless steel, flash rust may occur depending on the environmental conditions and should be removed immediately. The suitability of the material with regard to mechanical and chemical resistance must always be checked in individual cases. The suitability for mechanical and chemical stress must always be checked on a case-by-case basis.

## PROCESSING

1. Select the profile according to the tile thickness.
2. Apply tile adhesive with a notched trowel.
3. Press the profile into the adhesive bed and align it.
4. Fill the fixing flange completely with adhesive.
5. Press the tiles firmly into place and align them so that they are flush with the top edge of the profile. Lay the tiles so that they are completely covered.
6. Cut the profile at an angle to form corners. Seal the mitre joint with a neutral cross-linked silicon. Close open sides with the appropriate end caps.
7. Leave a 1-2 mm joint between the profile and the tiles.
8. Fill the space between the tiles and the profile completely with joint mortar.
9. Close open sides with the appropriate end caps.

Protect visible surfaces from contact with tile adhesive or grout and clean immediately with a cloth and clear water if necessary. Then rub dry.

The generally accepted rules of technology and tiling must be observed. Suitability for use with mechanical and chemical resistance must always be checked in each individual case.

## CARE

Stainless steel (304) does not require any special care. If necessary, it can be cleaned simply with clear, clean water and a few drops of washing-up liquid. Then wipe dry.

Avoid using acidic, alkaline and abrasive cleaning agents. Flash rust can be removed with commercially available polishes suitable for stainless steel.

Please note: For technical reasons, tolerances in color effects of the materials and print are possible. All information is based on the best of our knowledge and belief. No guarantee can be derived from this. We reserve the right to any technical changes if they are in the interest of progress or if they are production-related.