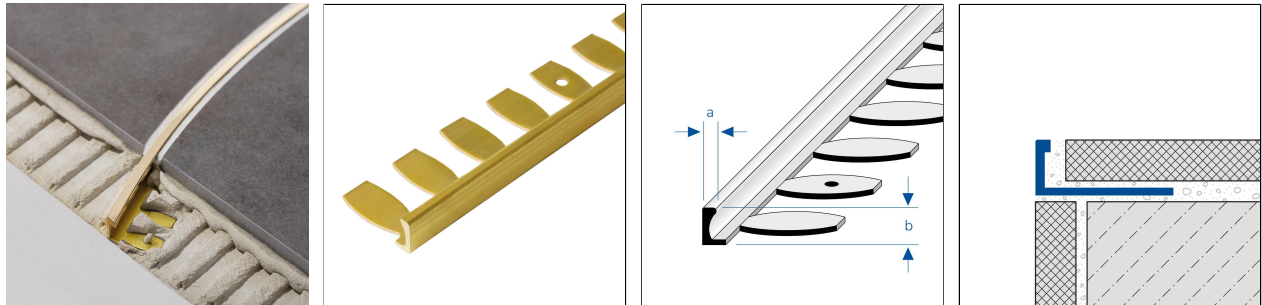




# DUROSOL Brass Z-Flex

Bendable L-shaped trim profile for floor and wall with narrow visual edge



## TECHNICAL DIMENSIONS AND PRODUCT VARIANTS

Material	[Brass]
Surface	[natural]
Colour	natural
Length	250 cm
sight width	3 mm
Height	12.5 mm, 3 mm, 18.5 mm, 6 mm, 8 mm, 10 mm, 11 mm, 15 mm, 20 mm

## PRODUCT VARIANTS

Ident	Height	Surface	Colour	Length
DSM 30-ZF/250	3 mm	natural	natural	250 cm
DSM 60-ZF/250	6 mm	natural	natural	250 cm
DSM 80-ZF/250	8 mm	natural	natural	250 cm
DSM 100-ZF/250	10 mm	natural	natural	250 cm
DSM 110-ZF/250	11 mm	natural	natural	250 cm
DSM 125-ZF/250	12.5 mm	natural	natural	250 cm
DSM 150-ZF/250	15 mm	natural	natural	250 cm
DSM 185-ZF/250	18.5 mm	natural	natural	250 cm
DSM 200-ZF/250	20 mm	natural	natural	250 cm

## MATERIAL

Brass is particularly suitable for indoor areas with medium mechanical loads.

Brass oxidises (patinates) in the air. When used in damp rooms or in conjunction with aggressive cleaning agents, this process can intensify and stains may form. If necessary, polish with special cleaning pastes.

The applicability with regard to mechanical and chemical resistance must always be checked in each individual case.

Please note: For technical reasons, tolerances in color effects of the materials and print are possible. All information is based on the best of our knowledge and belief. No guarantee can be derived from this. We reserve the right to any technical changes if they are in the interest of progress or if they are production-related.



## PROCESSING

1. Select the profile according to the tile thickness.
2. Apply tile adhesive with a notched trowel.
3. Press the profile into the adhesive bed and align.
4. Fill over the entire surface of the fixing leg.
5. Press the tiles firmly into place and align them so that they are flush with the upper edge of the profile. Lay the tiles fully flush.
6. Use suitable inner or outer corner pieces.
7. Leave a grout line of 1-2 mm to the profile.
8. Fill the space between the tiles and the profile completely with grout.

Protect visible surfaces from contact with tile adhesive or grout and, if necessary, clean immediately with a cloth and clean water. Then wipe dry.

The generally recognised rules of technology must be observed. Suitability in terms of mechanical and chemical resistance must always be checked on a case-by-case basis.

## CARE

Brass does not require any special care. If necessary, it can simply be cleaned with clear, clean water to which a few drops of household cleaning agent (washing-up liquid, citric acid) have been added. Then wipe dry.

The patina that develops over time on untreated brass surfaces can be removed by polishing with a soft cloth and washing-up liquid or citric acid. Then wipe dry.

Do not use abrasive products.

Please note: For technical reasons, tolerances in color effects of the materials and print are possible.  
All information is based on the best of our knowledge and belief. No guarantee can be derived from this.  
We reserve the right to any technical changes if they are in the interest of progress or if they are production-related.