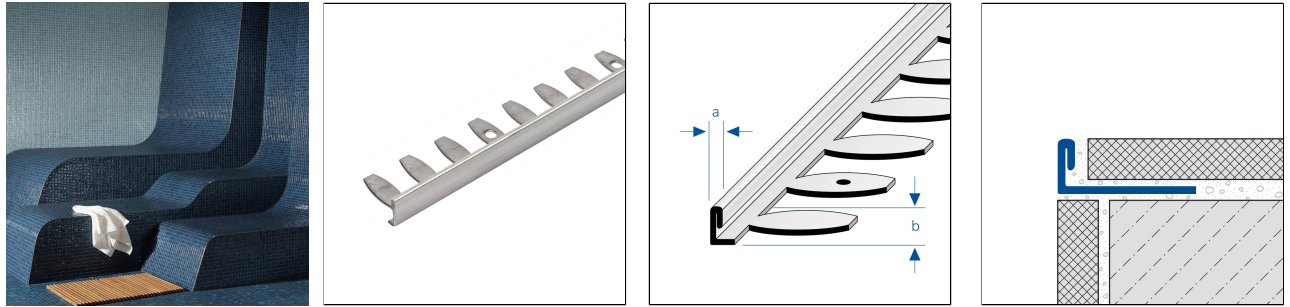




DUROSOL Stainless steel (304) Z-Flex

Bendable L-Shaped Edge Trim Profile Made Of Stainless Steel



TECHNICAL DIMENSIONS AND PRODUCT VARIANTS

Material	Stainless Steel (304)
Surface	high-gloss polished, natural
Colour	natural
Length	250 cm
sight width	2.2 mm
Height (b)	12.5 mm, 3 mm, 4.5 mm, 6 mm, 8 mm, 10 mm, 11 mm

PRODUCT VARIANTS

Ident	Height (b)	Surface	Colour	Length
DSE 30-ZF/250	3 mm	natural	natural	250 cm
DSE 45-ZF/250	4.5 mm	natural	natural	250 cm
DSE 60-ZF/250	6 mm	natural	natural	250 cm
DSE 80-ZF/250	8 mm	natural	natural	250 cm
DSE 100-SP-ZF/250	10 mm	high-gloss polished		250 cm
DSE 100-ZF/250	10 mm	natural	natural	250 cm
DSE 110-SP-ZF/250	11 mm	high-gloss polished		250 cm
DSE 110-ZF/250	11 mm	natural	natural	250 cm
DSE 125-SP-ZF/250	12.5 mm	high-gloss polished		250 cm
DSE 125-ZF/250	12.5 mm	natural	natural	250 cm

25 April 2025 03:02 PM

Please note: For technical reasons, tolerances in color effects of the materials and print are possible. All information is based on the best of our knowledge and belief. No guarantee can be derived from this. We reserve the right to any technical changes if they are in the interest of progress or if they are production-related.