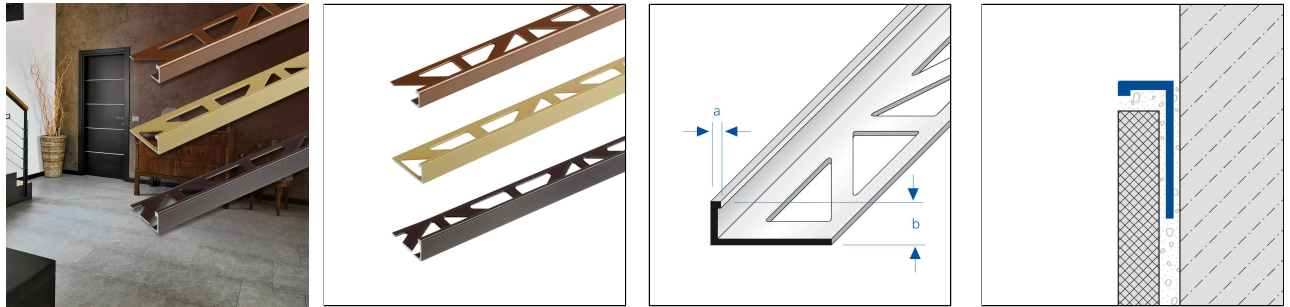




DUROSOL Functional

L-Shaped Angle Profile Made Of Aluminium In Functional Metallic Colours And In Black And White: The “Functional Style’



ACCESSORIES

Matching corner pieces are available as accessories.

MATERIAL

Aluminium can be used wherever a medium mechanical stresses are expected. Contact with alkaline materials (e.g. tile adhesive) can lead to discolouration, which can be difficult to remove afterwards. High humidity during the drying phase can intensify this process. Always wipe off tile adhesive or grout on visible surfaces immediately with plenty of water, then wipe dry and ensure that the room is well ventilated.

Suitability in terms of mechanical and chemical resistance must always be checked on a case-by-case basis.

CARE

Aluminium profiles do not require any special care. If necessary, they can be cleaned simply with clear, clean water and a few drops of washing-up liquid. Avoid using acidic or abrasive cleaning agents.

PROCESSING

1. Select the profile according to the tile thickness.
- 2 Apply tile adhesive with a notched trowel.
- 3 Press the profile into the adhesive bed and align.
4. Fill over the entire surface of the fixing leg.
5. Press the tiles firmly into place and align them so that they are flush with the upper edge of the profile. Lay the tiles fully flush.
- 6 Use suitable inner or outer corner pieces.
7. Leave a grout line of 1-2 mm to the profile.
8. Fill the space between the tiles and the profile completely with grout.

Protect visible surfaces from contact with tile adhesive or grout and, if necessary, clean immediately with a cloth and clean water. Then wipe dry.

Please note: For technical reasons, tolerances in color effects of the materials and print are possible. All information is based on the best of our knowledge and belief. No guarantee can be derived from this. We reserve the right to any technical changes if they are in the interest of progress or if they are production-related.



The generally recognised rules of technology must be observed. Suitability in terms of mechanical and chemical resistance must always be checked on a case-by-case basis.

TECHNICAL DIMENSIONS AND PRODUCT VARIANTS

Material	[Aluminium]
Surface	[powder coated]
Colour	bronze, gold, graphite, black, titanium, white, copper, white matt (RAL 9003), black matt (RAL 9005)
Length	250 cm, 300 cm
sight width	3 mm
Height	12.5 mm, 6 mm, 7 mm, 8 mm, 9 mm, 10 mm, 11 mm, 22 mm

PRODUCT VARIANTS

Ident	Height	Surface	Colour	Length
DSAC 633/250	6 mm	powder coated	black	250 cm
DSACM 611/250	6 mm	powder coated	black matt (RAL 9005)	250 cm
DSACM 611/300	6 mm	powder coated	black matt (RAL 9005)	300 cm
DSAC 655/250	6 mm	powder coated	bronze	250 cm
DSAC 654/250	6 mm	powder coated	copper	250 cm
DSAC 652/250	6 mm	powder coated	gold	250 cm
DSAC 656/250	6 mm	powder coated	graphite	250 cm
DSAC 653/250	6 mm	powder coated	titanium	250 cm
DSAC 630/250	6 mm	powder coated	white	250 cm
DSACM 612/250	6 mm	powder coated	white matt (RAL 9003)	250 cm
DSACM 711/250	7 mm	powder coated	black matt (RAL 9005)	250 cm
DSAC 833/250	8 mm	powder coated	black	250 cm
DSAC 833/300	8 mm	powder coated	black	300 cm
DSACM 811/250	8 mm	powder coated	black matt (RAL 9005)	250 cm
DSACM 811/300	8 mm	powder coated	black matt (RAL 9005)	300 cm
DSAC 855/250	8 mm	powder coated	bronze	250 cm
DSAC 854/250	8 mm	powder coated	copper	250 cm

Please note: For technical reasons, tolerances in color effects of the materials and print are possible. All information is based on the best of our knowledge and belief. No guarantee can be derived from this. We reserve the right to any technical changes if they are in the interest of progress or if they are production-related.



DSAC 852/250	8 mm	powder coated	gold	250 cm
DSAC 856/250	8 mm	powder coated	graphite	250 cm
DSAC 853/250	8 mm	powder coated	titanium	250 cm
DSAC 830/250	8 mm	powder coated	white	250 cm
DSAC 830/300	8 mm	powder coated	white	300 cm
DSACM 812/250	8 mm	powder coated	white matt (RAL 9003)	250 cm
DSAC 933/250	9 mm	powder coated	black	250 cm
DSACM 911/250	9 mm	powder coated	black matt (RAL 9005)	250 cm
DSAC 930/250	9 mm	powder coated	white	250 cm
DSAC 1033/250	10 mm	powder coated	black	250 cm
DSAC 1033/300	10 mm	powder coated	black	300 cm
DSACM 1011/250	10 mm	powder coated	black matt (RAL 9005)	250 cm
DSACM 1011/300	10 mm	powder coated	black matt (RAL 9005)	300 cm
DSAC 1055/250	10 mm	powder coated	bronze	250 cm
DSAC 1054/250	10 mm	powder coated	copper	250 cm
DSAC 1052/250	10 mm	powder coated	gold	250 cm
DSAC 1056/250	10 mm	powder coated	graphite	250 cm
DSAC 1053/250	10 mm	powder coated	titanium	250 cm
DSAC 1030/250	10 mm	powder coated	white	250 cm
DSAC 1030/300	10 mm	powder coated	white	300 cm
DSACM 1012/250	10 mm	powder coated	white matt (RAL 9003)	250 cm
DSAC 1133/250	11 mm	powder coated	black	250 cm
DSACM 1111/250	11 mm	powder coated	black matt (RAL 9005)	250 cm
DSACM 1111/300	11 mm	powder coated	black matt (RAL 9005)	300 cm
DSAC 1155/250	11 mm	powder coated	bronze	250 cm
DSAC 1154/250	11 mm	powder coated	copper	250 cm
DSAC 1152/250	11 mm	powder coated	gold	250 cm
DSAC 1156/250	11 mm	powder coated	graphite	250 cm
DSAC 1153/250	11 mm	powder coated	titanium	250 cm
DSAC 1130/250	11 mm	powder coated	white	250 cm
DSACM 1112/250	11 mm	powder coated	white matt (RAL 9003)	250 cm
DSAC 1233/250	12.5 mm	powder coated	black	250 cm
DSAC 1233/300	12.5 mm	powder coated	black	300 cm
DSACM 1211/250	12.5 mm	powder coated	black matt (RAL 9005)	250 cm
DSACM 1211/300	12.5 mm	powder coated	black matt (RAL 9005)	300 cm
DSAC 1255/250	12.5 mm	powder coated	bronze	250 cm
DSAC 1254/250	12.5 mm	powder coated	copper	250 cm

Please note: For technical reasons, tolerances in color effects of the materials and print are possible. All information is based on the best of our knowledge and belief. No guarantee can be derived from this. We reserve the right to any technical changes if they are in the interest of progress or if they are production-related.



DSAC 1252/250	12.5 mm	powder coated	gold	250 cm
DSAC 1256/250	12.5 mm	powder coated	graphite	250 cm
DSAC 1253/250	12.5 mm	powder coated	titanium	250 cm
DSAC 1230/250	12.5 mm	powder coated	white	250 cm
DSAC 1230/300	12.5 mm	powder coated	white	300 cm
DSACM 1212/250	12.5 mm	powder coated	white matt (RAL 9003)	250 cm
DSAC 2233/250	22 mm	powder coated	black	250 cm
DSACM 2211/250	22 mm	powder coated	black matt (RAL 9005)	250 cm

Please note: For technical reasons, tolerances in color effects of the materials and print are possible.
 All information is based on the best of our knowledge and belief. No guarantee can be derived from this.
 We reserve the right to any technical changes if they are in the interest of progress or if they are production-related.