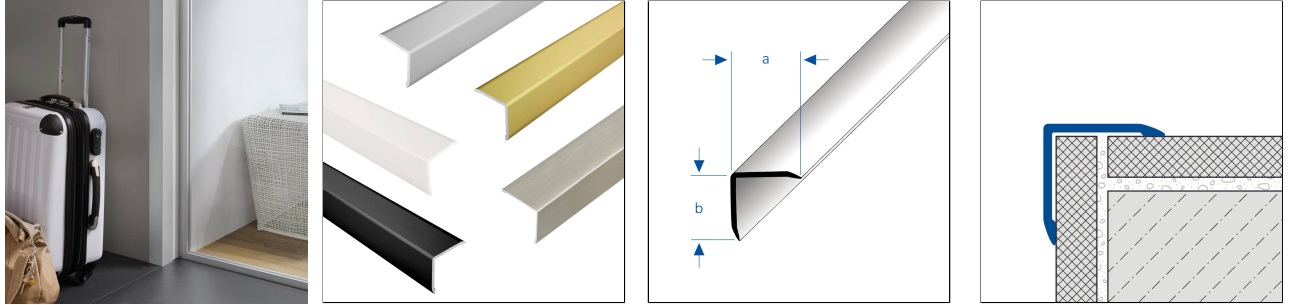




DURAGARD EP



TECHNICAL DIMENSIONS AND PRODUCT VARIANTS

Material	Aluminium, Stainless Steel (V2A/304)
Surface	powder coated, anodised, anodised, gebürstet, gebürstet, matt
Colour	black, silver, gold, titanium, white, natural, white matt (RAL 9003), black matt (RAL 9011)
Length	250 cm
Höhe (b)	15 mm, 20 mm, 25 mm, 30 mm, 40 mm, 50 mm, 60 mm

PRODUCT VARIANTS

Ident	Höhe (b)	Surface	Colour	Length
DGAE 1515/250	15 mm	anodised	silver	250 cm
DGAE 1515-SF/250	15 mm	anodised, gebürstet	silver	250 cm
DGAE 2020/250	20 mm	anodised	silver	250 cm
DGAE 2020-SF/250	20 mm	anodised, gebürstet	silver	250 cm
DGAE 2525-G/250	25 mm	anodised	gold	250 cm
DGAE 2525/250	25 mm	anodised	silver	250 cm
DGAE 2525-T/250	25 mm	anodised	titanium	250 cm
DGAE 2525-SF/250	25 mm	anodised, gebürstet	silver	250 cm
DGAE 2525-T-SF/250	25 mm	anodised, gebürstet	titanium	250 cm
DGE 2512-F/250	25 mm	gebürstet	natural	250 cm
DGE 2512-M/250	25 mm	matt	natural	250 cm
DGAC 2525-33/250	25 mm	powder coated	black	250 cm
DGACM 2525-11/250	25 mm	powder coated	black matt (RAL 9011)	250 cm
DGAC 2525-30/250	25 mm	powder coated	white	250 cm

Please note: For technical reasons, tolerances in color effects of the materials and print are possible. All information is based on the best of our knowledge and belief. No guarantee can be derived from this. We reserve the right to any technical changes if they are in the interest of progress or if they are production-related.



DGACM 2525-12/250	25 mm	powder coated	white matt (RAL 9003)	250 cm
DGE 3012-F/250	30 mm	gebürstet	natural	250 cm
DGE 3012-M/250	30 mm	matt	natural	250 cm
DGE 4012-F/250	40 mm	gebürstet	natural	250 cm
DGE 4012-M/250	40 mm	matt	natural	250 cm
DGAE 5050-G/250	50 mm	anodised	gold	250 cm
DGAE 5050/250	50 mm	anodised	silver	250 cm
DGAE 5050-T/250	50 mm	anodised	titanium	250 cm
DGAE 5050-T-SF/250	50 mm	anodised, gebürstet	titanium	250 cm
DGE 5012-F/250	50 mm	gebürstet	natural	250 cm
DGE 5012-M/250	50 mm	matt	natural	250 cm
DGAC 5050-33/250	50 mm	powder coated	black	250 cm
DGACM 5050-11/250	50 mm	powder coated	black matt (RAL 9011)	250 cm
DGAC 5050-30/250	50 mm	powder coated	white	250 cm
DGACM 5050-12/250	50 mm	powder coated	white matt (RAL 9003)	250 cm
DGE 6012-F/250	60 mm	gebürstet	natural	250 cm
DGE 6012-M/250	60 mm	matt	natural	250 cm

Please note: For technical reasons, tolerances in color effects of the materials and print are possible.
 All information is based on the best of our knowledge and belief. No guarantee can be derived from this.
 We reserve the right to any technical changes if they are in the interest of progress or if they are production-related.

