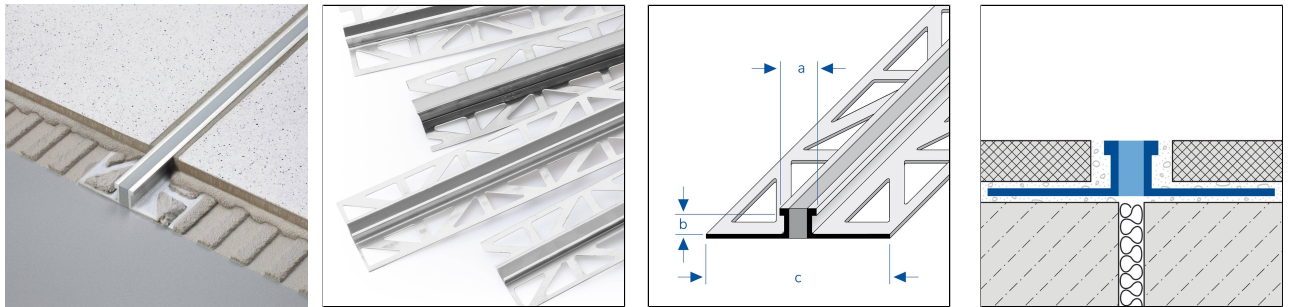




DURAFLEX METALL Aluminium

Movement joint profile made of aluminium for thin-bed installation



MATERIAL

Aluminum/EPDM can be used wherever a medium mechanical load-bearing capacity is to be expected. Contact with alkaline materials (e.g. tile adhesive) can lead to discoloration, which can be difficult to remove afterwards. High humidity during the drying phase can intensify this process. Always wipe off tile adhesive or grout on visible surfaces immediately with plenty of water, then wipe dry and ensure that the room is well ventilated.

Suitability in terms of mechanical and chemical resistance must always be checked on a case-by-case basis.

CARE

Aluminum/EPDM does not require any special care. If necessary, it can simply be damp-cleaned with clear, clean water and a few drops of washing-up liquid. Then wipe dry.

Acidic and abrasive cleaning agents should be avoided.

PROCESSING

1. Select the profile to match the tile thickness.
2. Apply tile adhesive using a notched trowel.
3. Press the profile into the adhesive bed and align it. Any expansion joints in the substrate must be replicated exactly.
4. Cover the fixing tabs completely with adhesive.
5. Press the tiles firmly into place and align them so that they are flush with the top edge of the profile. Lay the tiles with full coverage.
6. Leave a 2 mm joint between the profile and the tiles.
7. Fill the space between the tiles and the profile completely with grout.

The tiles adjacent to the expansion and movement joint profile must be set in the tile adhesive with a 2 mm width of joint against the vertical flange of the profile. In doing so, the holes in the fixing flanges must be completely filled with tile adhesive, leaving no voids, and the vertical flanges must be filled diagonally with tile adhesive. The upper edge of the profile must be flush with the tile surface at most.

Please note: For technical reasons, tolerances in color effects of the materials and print are possible. All information is based on the best of our knowledge and belief. No guarantee can be derived from this. We reserve the right to any technical changes if they are in the interest of progress or if they are production-related.

The profile must not protrude beyond the surface of the covering, but should preferably be up to 1 mm lower. In the area of the profile, the tiles must be laid over the entire surface and fully embedded in the adhesive bed, and the joints must be completely filled across their entire cross-section.

Furthermore, an uncut tile edge must always be placed against the profile.

In general, when using our expansion profiles, care must be taken to ensure that the flooring used in combination with our profile also meets the relevant requirements regarding the loads incurred (per metre or per square metre) and is capable of withstanding them. We assume that the installation has been carried out correctly!

A slow-active angle grinder with a suitable cutting disc must be used to cut the profiles. Prevent cutting sparks from settling on the profile surfaces.

Protect visible surfaces from contact with tile adhesive or grout and, if necessary, clean immediately with a cloth and clean water. Then rub dry.

The generally accepted rules of technology and tiling must be observed. Suitability for use with mechanical and chemical resistance must always be checked in each individual case.

TECHNICAL DIMENSIONS AND PRODUCT VARIANTS

Material	[Aluminium]
Surface	[natural]
Colour	natural
Length	250 cm
sight width	10 mm
Height	12.5 mm, 16.5 mm, 3 mm, 6 mm, 8 mm, 10 mm, 4.5 mm, 15 mm, 18 mm, 20 mm, 22 mm, 25 mm, 30 mm
Supplementary colour	EPDM insert: grey

PRODUCT VARIANTS

Ident	Height	Surface	Colour	Length
DFA 338/250	3 mm	natural	natural	250 cm
DFA 438/250	4.5 mm	natural	natural	250 cm
DFA 638/250	6 mm	natural	natural	250 cm
DFA 838/250	8 mm	natural	natural	250 cm
DFA 1038/250	10 mm	natural	natural	250 cm
DFA 1238/250	12.5 mm	natural	natural	250 cm
DFA 1538/250	15 mm	natural	natural	250 cm

Please note: For technical reasons, tolerances in color effects of the materials and print are possible. All information is based on the best of our knowledge and belief. No guarantee can be derived from this. We reserve the right to any technical changes if they are in the interest of progress or if they are production-related.



DFA 1638/250	16.5 mm	natural	natural	250 cm
DFA 1838/250	18 mm	natural	natural	250 cm
DFA 2038/250	20 mm	natural	natural	250 cm
DFA 2238/250	22 mm	natural	natural	250 cm
DFA 2538/250	25 mm	natural	natural	250 cm
DFA 3038/250	30 mm	natural	natural	250 cm

Please note: For technical reasons, tolerances in color effects of the materials and print are possible.
 All information is based on the best of our knowledge and belief. No guarantee can be derived from this.
 We reserve the right to any technical changes if they are in the interest of progress or if they are production-related.