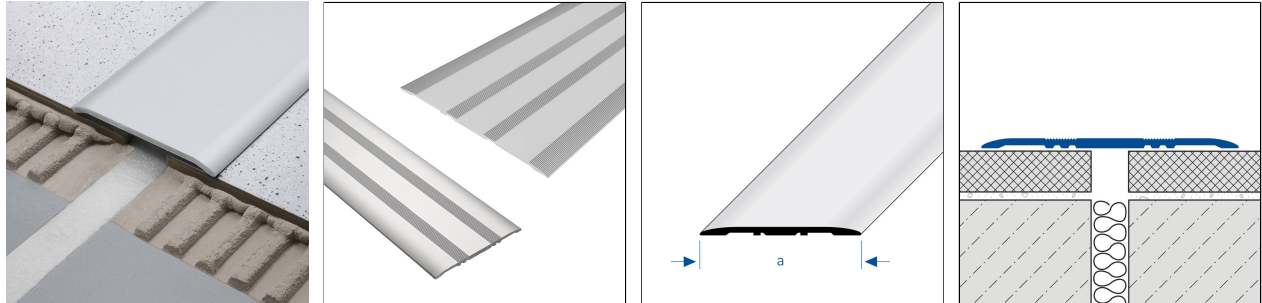




DURAFLEX KA

Cover profile without holes for expansion and movement joints on walls and floors



TECHNICAL DIMENSIONS AND PRODUCT VARIANTS

Material	[Aluminium]
Surface	[natural], [anodised]
Colour	natural, silver
Length	250 cm
sight width	60 mm, 80 mm, 100 mm, 120 mm
Height	3.5 mm, 4 mm

PRODUCT VARIANTS

Ident	Height	Surface	Colour	Length
DFAE KA 600/250	3.5 mm	anodised	silver	250 cm
DFAE KA 800/250	3.5 mm	anodised	silver	250 cm
DFA KA 600/250	3.5 mm	natural	natural	250 cm
DFA KA 800/250	3.5 mm	natural	natural	250 cm
DFAE KA 1000/250	4 mm	anodised	silver	250 cm
DFAE KA 1200/250	4 mm	anodised	silver	250 cm
DFA KA 1000/250	4 mm	natural	natural	250 cm
DFA KA 1200/250	4 mm	natural	natural	250 cm

Data sheet Accessories

The 60 mm wide version has a smooth surface
All others have grooves

PROPERTIES

The 60 mm wide version has a smooth surface
All others have grooves

MATERIAL

Aluminium can be used wherever moderate mechanical stress is expected. Contact with alkaline materials (e.g. tile adhesive) can lead to discolouration that is difficult to remove afterwards. High humidity during the drying phase can intensify this process. Always wipe tile adhesive or grout off visible surfaces immediately with plenty of water, then wipe dry and ensure good room ventilation.

Please note: For technical reasons, tolerances in color effects of the materials and print are possible.
All information is based on the best of our knowledge and belief. No guarantee can be derived from this.
We reserve the right to any technical changes if they are in the interest of progress or if they are production-related.



Suitability in terms of mechanical and chemical resistance must always be checked on a case-by-case basis.

PROCESSING

1. The bonding surfaces must be cleaned and any contaminants, such as release agents, preservatives, grease, oil, dust, water, old adhesives/sealants and other substances that could impair adhesion, must be removed.
2. Select the profile according to the joint width.
 - Joint width up to 12 mm: 60 mm profile width
 - Joint width up to 20 mm: 80 mm profile width
 - Joint width up to 30 mm: 100 mm profile width
 - Joint width up to 50 mm: 120 mm profile width
3. Apply SPEED-FLEX adhesive sealant or a suitable alternative to the adhesive sides of the profile.
4. Press the profile firmly onto the prepared substrate.
5. Allow any adhesive sealant that may have escaped to dry, then carefully cut it off along the edge of the profile with a sharp knife without damaging the substrate, and then remove it.

The generally accepted rules of technology and tiling must be observed. Suitability for use with mechanical and chemical resistance must always be checked in each individual case.

CARE

Aluminium does not require any special care. If necessary, it can simply be cleaned with clear, clean water and a few drops of washing-up liquid. Then wipe dry.

Avoid using acidic or abrasive cleaning agents.

Please note: For technical reasons, tolerances in color effects of the materials and print are possible.
All information is based on the best of our knowledge and belief. No guarantee can be derived from this.
We reserve the right to any technical changes if they are in the interest of progress or if they are production-related.