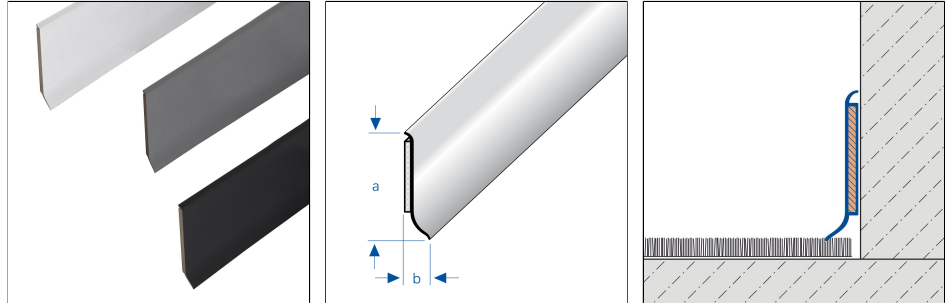




CONSTRUCT Solid Core KSD

Core skirting strip with flexible soft edge and HDF-core



TECHNICAL DIMENSIONS AND PRODUCT VARIANTS

Material	[PVC],[HDF]
Surface	[Real wood decor]
Colour	black, dark grey, hellgrau, light oak, beech, white, brown, beige
Length	255 cm, 515 cm
Height	60, 100
Width mm	15 mm

PRODUCT VARIANTS

Ident	Height	Surface	Colour	Length
KSD 2250/255	60	Real wood decor	beech	255 cm
KSD 2250/515	60	Real wood decor	beech	515 cm
KSD 1260/255	60	Real wood decor	light oak	255 cm
KSD 1260/515	60	Real wood decor	light oak	515 cm
KSD 1001/255	60		black	255 cm
KSD 1001/515	60		black	515 cm
KSD 1184/255	60		dark grey	255 cm
KSD 1184/515	60		dark grey	515 cm
KSD 1202/255	60		hellgrau	255 cm
KSD 1202/515	60		hellgrau	515 cm
KSD 5012/255	60		white	255 cm
KSD 5012/515	60		white	515 cm
KSF 2250/515	100	Real wood decor	beech	515 cm
KSF 1260/515	100	Real wood decor	light oak	515 cm
KSF 4244/515	100		beige	515 cm
KSF 1001/515	100		black	515 cm
KSF 4019/515	100		brown	515 cm
KSF 1184/515	100		dark grey	515 cm
KSF 1202/515	100		hellgrau	515 cm
KSF 5012/515	100		white	515 cm

Please note: For technical reasons, tolerances in color effects of the materials and print are possible. All information is based on the best of our knowledge and belief. No guarantee can be derived from this. We reserve the right to any technical changes if they are in the interest of progress or if they are production-related.



MATERIAL

PVC is particularly suitable for indoor and outdoor areas with low mechanical loads. The material is dyed throughout and is therefore UV-resistant under normal circumstances. However, colour differences may occur with constant UV exposure.

The applicability with regard to mechanical and chemical resistance must always be checked on a case-by-case basis.

PROCESSING

1. The bonding surfaces must be cleaned and any contamination such as release agents, preservatives, grease, oil, dust, water, old adhesives/sealants and other substances that could impair adhesion must be removed.
2. Apply SPEED-FLEX adhesive sealant or a suitable alternative to the adhesive sides of the profile.
3. Place the profile flush in the corner and press firmly.
5. Mitre the profiles to form the corners and seal the mitre joint with a neutrally cross-linked silicone.
6. Allow any adhesive sealant that has escaped to dry, then carefully cut along the profile edge with a sharp knife and then remove.

The generally recognised rules of technology must be observed. The suitability with regard to mechanical and chemical resistance must always be checked in each individual case.

CARE

PVC does not require any special care. It can be cleaned as needed with just clear, clean water with a few drops of washing-up liquid added.

Solvent-based and abrasive cleaning agents should be avoided.

Please note: For technical reasons, tolerances in color effects of the materials and print are possible.
All information is based on the best of our knowledge and belief. No guarantee can be derived from this.
We reserve the right to any technical changes if they are in the interest of progress or if they are production-related.