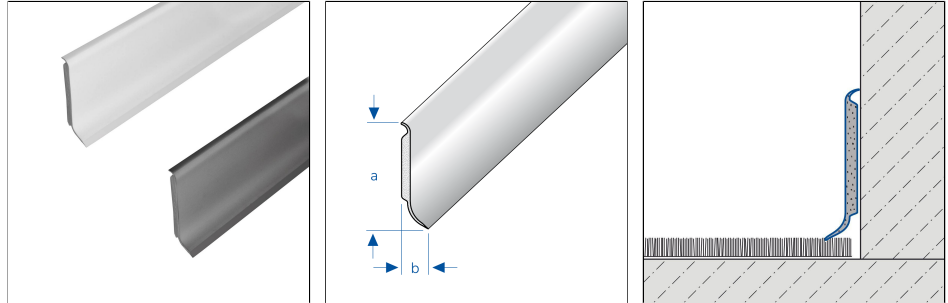




CONSTRUCT Solid Core GSD

Core skirting strip with foamed core



TECHNICAL DIMENSIONS AND PRODUCT VARIANTS

Material	[PVC]
Surface	[Real wood decor]
Colour	white, dark grey, light oak, beech
Length	250 cm
Height	60
Width mm	15 mm

PRODUCT VARIANTS

Ident	Height	Surface	Colour	Length
GSD 5700/250	60	Real wood decor	beech	250 cm
GSD 3300/250	60	Real wood decor	light oak	250 cm
GSD 1460/250	60		dark grey	250 cm
GSD 1170/250	60		white	250 cm

MATERIAL

PVC is particularly suitable for indoor and outdoor areas with low mechanical loads. The material is dyed throughout and is therefore UV-resistant under normal circumstances. However, colour differences may occur with constant UV exposure.

The applicability with regard to mechanical and chemical resistance must always be checked on a case-by-case basis.

PROCESSING

1. The bonding surfaces must be cleaned and any contamination such as release agents, preservatives, grease, oil, dust, water, old adhesives/sealants and other substances that could impair adhesion must be removed.
2. Apply SPEED-FLEX adhesive sealant or a suitable alternative to the adhesive sides of the profile.
3. Place the profile flush in the corner and press firmly.

Please note: For technical reasons, tolerances in color effects of the materials and print are possible. All information is based on the best of our knowledge and belief. No guarantee can be derived from this. We reserve the right to any technical changes if they are in the interest of progress or if they are production-related.



5. Mitre the profiles to form the corners and seal the mitre joint with a neutrally cross-linked silicone.
6. Allow any adhesive sealant that has escaped to dry, then carefully cut along the profile edge with a sharp knife and then remove.

The generally recognised rules of technology must be observed. The suitability with regard to mechanical and chemical resistance must always be checked in each individual case.

CARE

PVC does not require any special care. It can be cleaned as needed with just clear, clean water with a few drops of washing-up liquid added.

Solvent-based and abrasive cleaning agents should be avoided.

Please note: For technical reasons, tolerances in color effects of the materials and print are possible.
All information is based on the best of our knowledge and belief. No guarantee can be derived from this.
We reserve the right to any technical changes if they are in the interest of progress or if they are production-related.