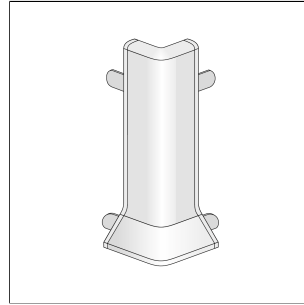
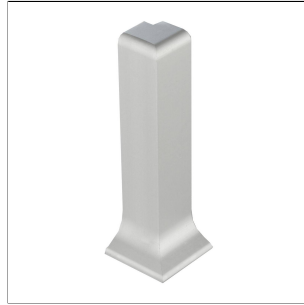




# CONSTRUCT Reno

External corner for skirting strip CONSTRUCT Reno



## TECHNICAL DIMENSIONS AND PRODUCT VARIANTS

Material	[Aluminium]
Surface	[anodised]
Colour	silver
Height	80

## PRODUCT VARIANTS

Ident	Height	Surface	Colour
CRAE 80-11-X/2	80	anodised	silver
CRAE 80-11-X/20	80	anodised	silver

Please note: For technical reasons, tolerances in color effects of the materials and print are possible.  
 All information is based on the best of our knowledge and belief. No guarantee can be derived from this.  
 We reserve the right to any technical changes if they are in the interest of progress or if they are production-related.

