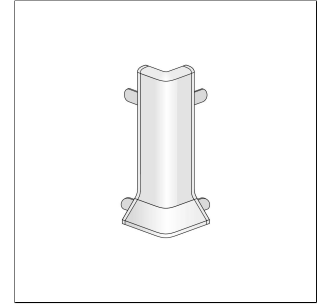
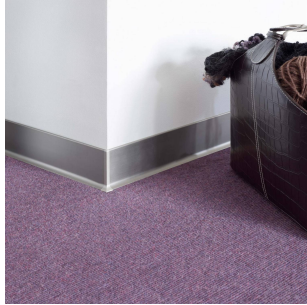




# CONSTRUCT METAL



## TECHNICAL DIMENSIONS AND PRODUCT VARIANTS

Material	Aluminium, Metal die-cast
Surface	powder coated, anodised, anodised, gebürstet
Colour	titanium, satin silver, silver, weiß (RAL 9003), black matt (RAL 9011)
Höhe (b)	40, 60, 80, 100

## PRODUCT VARIANTS

Ident	Höhe (b)	Surface	Colour
CAE 40-X/2	40	anodised	silver
CAE 40-X/20	40	anodised	silver
CAE 60-X/2	60	anodised	silver
CAE 60-X/20	60	anodised	silver
CAE 60-T-X/2	60	anodised	titanium
CAE 60-T-X/20	60	anodised	titanium
CAE 60-SF-X/2	60	anodised, gebürstet	silver
CAE 60-SF-X/20	60	anodised, gebürstet	silver
CAE 60-T-SF-X/2	60	anodised, gebürstet	titanium
CAE 60-T-SF-X/20	60	anodised, gebürstet	titanium
CACM 6011-X/2	60	powder coated	black matt (RAL 9011)
CAC 6030-X/2	60	powder coated	weiß (RAL 9003)
CAE 80-X/2	80	anodised	silver
CAE 80-X/20	80	anodised	silver
CAE 80-T-X/2	80	anodised	titanium

Please note: For technical reasons, tolerances in color effects of the materials and print are possible. All information is based on the best of our knowledge and belief. No guarantee can be derived from this. We reserve the right to any technical changes if they are in the interest of progress or if they are production-related.



CAE 80-T-X/20	80	anodised	titanium
CAE 80-SF-X/2	80	anodised, gebürstet	silver
CAE 80-SF-X/20	80	anodised, gebürstet	silver
CACM 8011-X/2	80	powder coated	black matt (RAL 9011)
CAC 8030-X/2	80	powder coated	weiß (RAL 9003)
CAE 100-X/2	100	anodised	satin silver
CAE 100-X/20	100	anodised	silver
CAE 100-T-X/2	100	anodised	titanium
CAE 100-T-X/20	100	anodised	titanium

Please note: For technical reasons, tolerances in color effects of the materials and print are possible.  
 All information is based on the best of our knowledge and belief. No guarantee can be derived from this.  
 We reserve the right to any technical changes if they are in the interest of progress or if they are production-related.