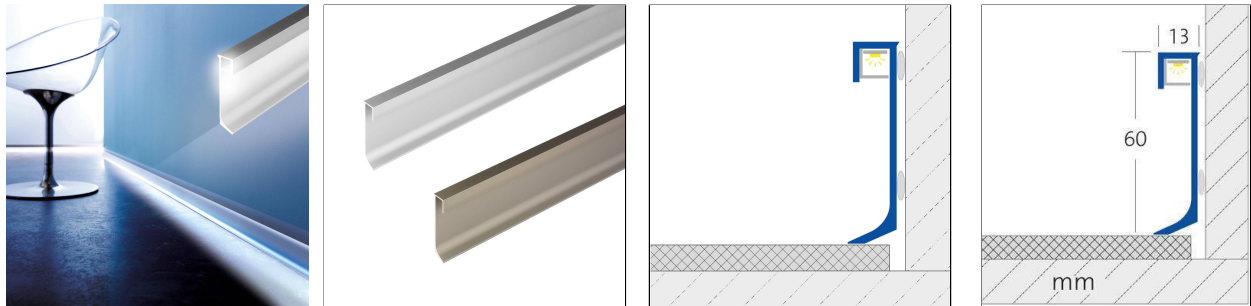




# CONSTRUCT LED



## TECHNICAL DIMENSIONS AND PRODUCT VARIANTS

Material	Aluminium
Surface	anodised
Colour	silver, titanium
Length	250 cm
Höhe (b)	60 mm

## PRODUCT VARIANTS

Ident	Höhe (b)	Surface	Colour	Length
CAE LED 60/250	60 mm	anodised	silver	250 cm
CAE LED 60-T/250	60 mm	anodised	titanium	250 cm

Please note: For technical reasons, tolerances in color effects of the materials and print are possible. All information is based on the best of our knowledge and belief. No guarantee can be derived from this. We reserve the right to any technical changes if they are in the interest of progress or if they are production-related.