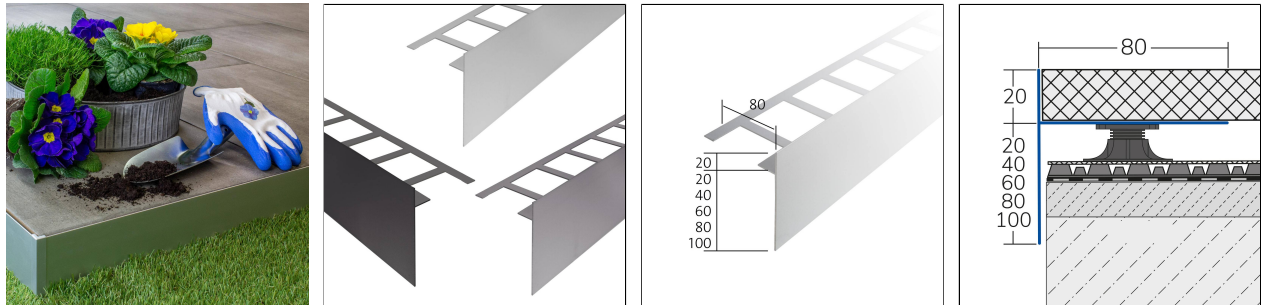




DURABAL BO

Edge trim profile for balconies and terraces for installation with pedestal supports/support plates and using adhesive.



TECHNICAL DIMENSIONS AND PRODUCT VARIANTS

Material	[Aluminium]
Surface	[powder coated], [anodised]
Colour	silver, perlweiß (RAL 1013), light ivory (RAL 1015), anthracite grey (RAL 7016), platinum grey (RAL 7036)
Length	300 cm
Height	101.4 mm, 121.4 mm, 41.3 mm, 61.3 mm, 81.3 mm, 202.2 mm, 142 mm, 162 mm, 182 mm
Width mm	81.7 mm

PRODUCT VARIANTS

Ident	Height	Surface	Colour	Length
BOAE 20-20/300	41.3 mm	anodised	silver	300 cm
BOAC 4016/300	41.3 mm	powder coated	anthracite grey (RAL 7016)	300 cm
BOAC 4015/300	41.3 mm	powder coated	light ivory (RAL 1015)	300 cm
BOAC 4013/300	41.3 mm	powder coated	perlweiß (RAL 1013)	300 cm
BOAC 4036/300	41.3 mm	powder coated	platinum grey (RAL 7036)	300 cm
BOAE 20-40/300	61.3 mm	anodised	silver	300 cm
BOAC 6016/300	61.3 mm	powder coated	anthracite grey (RAL 7016)	300 cm
BOAC 6015/300	61.3 mm	powder coated	light ivory (RAL 1015)	300 cm
BOAC 6013/300	61.3 mm	powder coated	perlweiß (RAL 1013)	300 cm
BOAC 6036/300	61.3 mm	powder coated	platinum grey (RAL 7036)	300 cm
BOAE 20-60/300	81.3 mm	anodised	silver	300 cm
BOAC 8016/300	81.3 mm	powder coated	anthracite grey (RAL 7016)	300 cm
BOAC 8015/300	81.3 mm	powder coated	light ivory (RAL 1015)	300 cm
BOAC 8013/300	81.3 mm	powder coated	perlweiß (RAL 1013)	300 cm
BOAC 8036/300	81.3 mm	powder coated	platinum grey (RAL 7036)	300 cm
BOAE 20-80/300	101.4 mm	anodised	silver	300 cm
BOAC 10016/300	101.4 mm	powder coated	anthracite grey (RAL 7016)	300 cm
BOAC 10015/300	101.4 mm	powder coated	light ivory (RAL 1015)	300 cm

Please note: For technical reasons, tolerances in color effects of the materials and print are possible. All information is based on the best of our knowledge and belief. No guarantee can be derived from this. We reserve the right to any technical changes if they are in the interest of progress or if they are production-related.



BOAC 10013/300	101.4 mm	powder coated	perlweiß (RAL 1013)	300 cm
BOAC 10036/300	101.4 mm	powder coated	platinum grey (RAL 7036)	300 cm
BOAE 20-100/300	121.4 mm	anodised	silver	300 cm
BOAC 12016/300	121.4 mm	powder coated	anthracite grey (RAL 7016)	300 cm
BOAC 12015/300	121.4 mm	powder coated	light ivory (RAL 1015)	300 cm
BOAC 12013/300	121.4 mm	powder coated	perlweiß (RAL 1013)	300 cm
BOAC 12036/300	121.4 mm	powder coated	platinum grey (RAL 7036)	300 cm
BOAE 20-120/300	142 mm	anodised	silver	300 cm
BOAC 14016/300	142 mm	powder coated	anthracite grey (RAL 7016)	300 cm
BOAC 14013/300	142 mm	powder coated	perlweiß (RAL 1013)	300 cm
BOAE 20-140/300	162 mm	anodised	silver	300 cm
BOAC 16016/300	162 mm	powder coated	anthracite grey (RAL 7016)	300 cm
BOAC 16013/300	162 mm	powder coated	perlweiß (RAL 1013)	300 cm
BOAE 20-160/300	182 mm	anodised	silver	300 cm
BOAC 18016/300	182 mm	powder coated	anthracite grey (RAL 7016)	300 cm
BOAC 18013/300	182 mm	powder coated	perlweiß (RAL 1013)	300 cm
BOAE 20-180/300	202.2 mm	anodised	silver	300 cm
BOAC 20016/300	202.2 mm	powder coated	anthracite grey (RAL 7016)	300 cm
BOAC 20013/300	202.2 mm	powder coated	perlweiß (RAL 1013)	300 cm

Data sheet Accessories

Matching corner pieces and connectors are available as accessories.

MATERIAL

Aluminium can be used wherever medium mechanical stress is to be expected. Contact with alkaline materials (e.g. tile adhesive) can lead to discolouration, which is difficult to remove afterwards. High humidity during the drying phase can intensify this process. Always wipe off tile adhesive or grout from visible surfaces immediately with plenty of water, then wipe dry.

The suitability with regard to mechanical and chemical resistance must always be checked in each individual case.

PROCESSING

Installation on pedestal supports:

1. Position and adjust the supports according to the conditions. Create a straight edge at the predetermined breaking point on the supports adjacent to the profile.
2. Select and adjust the profile according to the desired installation height.
3. Place the profile on the support and align it in height and alignment. If necessary, secure it with SPEEDFLEX polymer adhesive, for example.
4. Use appropriate external or internal corners if required.
5. Several profiles can be joined together using the connectors available as accessories.
6. Finally, lay the covering professionally on the supports.

Please note: For technical reasons, tolerances in color effects of the materials and print are possible. All information is based on the best of our knowledge and belief. No guarantee can be derived from this. We reserve the right to any technical changes if they are in the interest of progress or if they are production-related.



Installation using the thin-bed installation method:

1. Select and adjust the profile according to the required installation height.
2. Apply tile adhesive to the substrate (concrete slab or dry screed) using a notched trowel.
3. Press the profile into the adhesive bed and align it in height and alignment.
4. Use suitable external and internal corners if required. To connect several profiles, use the connectors available as accessories.
5. Fill the entire surface of the fixing flange with adhesive.
6. Press the covering firmly into place and align it so that it is flush with the profile edge.
7. Leave a 1-2 mm gap between the profile and the floor.

Protect visible surfaces from contact with tile adhesive or grout and clean immediately with a cloth and clear water if necessary. Then rub dry.

In both installation methods, the generally accepted rules of technology and tiling must be observed. Suitability for use with mechanical and chemical resistance must always be checked in each individual case.

CARE

Aluminium does not require any special care. If necessary, it can be easily cleaned with clear, clean water and a few drops of washing-up liquid. Then wipe dry.

Avoid using acidic, alkaline or abrasive cleaning agents.

Please note: For technical reasons, tolerances in color effects of the materials and print are possible.
All information is based on the best of our knowledge and belief. No guarantee can be derived from this.
We reserve the right to any technical changes if they are in the interest of progress or if they are production-related.