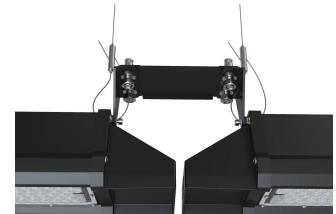
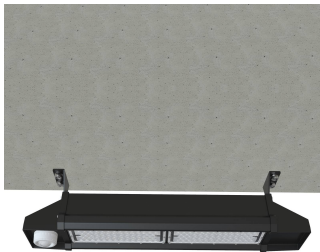




<b>Category</b>	High/Low Bay
<b>Application</b>	Ancillary, Hospitality, Industrial, Retail
<b>Specification</b>	Performance

# Z LED Linear

Z LED Linear 3 Emergency  
Code: AZPLED/3/M3



## PRODUCT FEATURES

- Powerful and durable surface mounted IP65 linear high bay, perfect for the demands of industrial applications
- 1.5m Suspension kit supplied as standard
- Plug and play microwave sensor option, offering maximum energy saving
- Surface mounting possible with AZPLED/LC accessory
- Die-cast aluminium construction provides enhanced thermal performance for longer LED lifespan
- 0/1-10V dimmable as standard (installer must drill through pilot hole and use an IP rated gland on install)

### GENERAL INFORMATION

<b>Wattage</b>	200W
<b>Lumens Delivered</b>	28000lm
<b>Lm/W</b>	140lm/W
<b>Beam Angle</b>	25/115
<b>CRI</b>	80
<b>CCT</b>	5000K
<b>Input</b>	220-240V
<b>Operating Temp</b>	0°C - 45°C
<b>SDCM</b>	4
<b>Product Weight without Packaging</b>	8.07 kg

### TECHNICAL INFORMATION

<b>Light Source</b>	LED
<b>Colour / Finish</b>	Black
<b>IP Rating</b>	IP65
<b>Class Protection</b>	1
<b>Internal / External</b>	Internal / External
<b>Surface / Recessed / Suspended</b>	Ceiling, Suspended
<b>Lumen Depreciation</b>	L80 54,000h
<b>Warranty (Years)</b>	5
<b>CE Mark</b>	Yes
<b>Height</b>	134 mm
<b>Accessories</b>	AZPLED/MWS, AZPLED/LC, AZPLED/MWSP
<b>Emergency Output Duration</b>	3 Hr

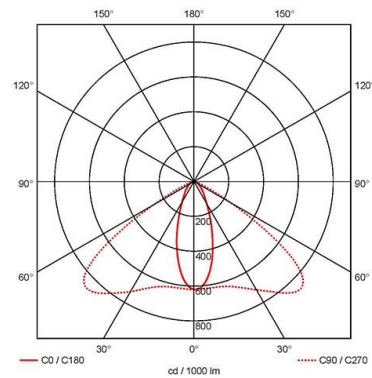
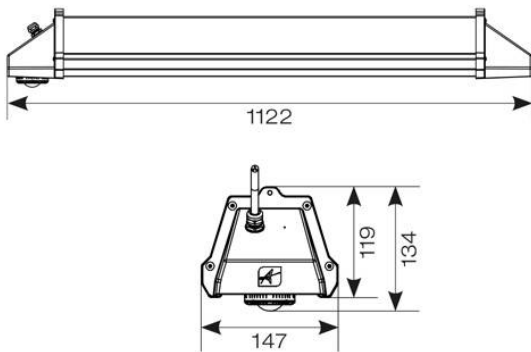


<b>Category</b>	High/Low Bay
<b>Application</b>	Ancillary, Hospitality, Industrial, Retail
<b>Specification</b>	Performance

# Z LED Linear

Z LED Linear 3 Emergency

**Code:** AZPLLED/3/M3



## ACCESSORIES

AZPLLED/MWS	Z LED Linear Plug-in Microwave Sensor
AZPLLED/LC	Z LED Linear Linking Connector
AZPLLED/MWSP	Z LED Linear Microwave Sensor Programmer