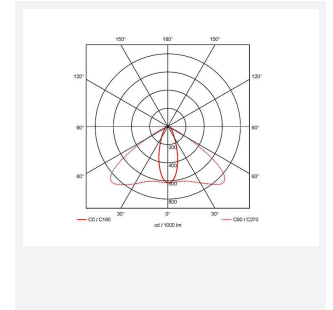
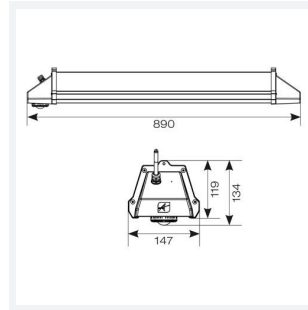




# Z LED Linear

Z LED Linear 2 OCTO Smart Control  
Code: AZPLED/2/OCTO

|               |  |
|---------------|--|
| Category      | High/Low Bay                               |
| Application   | Ancillary, Hospitality, Industrial, Retail |
| Specification | Performance                                |



## PRODUCT FEATURES

- Powerful and durable surface mounted IP65 linear high bay, perfect for the demands of industrial applications
- 1.5m Suspension kit supplied as standard
- Plug and play microwave sensor option, offering maximum energy saving
- Surface mounting possible with AZPLED/LC accessory
- Die-cast aluminium construction provides enhanced thermal performance for longer LED lifespan
- 0/1-10V dimmable as standard (installer must drill through pilot hole and use an IP rated gland on install)

| GENERAL INFORMATION              |              |
|----------------------------------|--------------|
| Wattage                          | 150W         |
| Lumens Delivered                 | 21000lm      |
| Lm/W                             | 140lm/W      |
| Beam Angle                       | 25/115       |
| CRI                              | 80           |
| CCT                              | 5000K        |
| Input                            | 220/240V     |
| Operating Temp                   | -30°C - 45°C |
| SDCM                             | 4            |
| Product Weight without Packaging | 8.11 kg      |

| TECHNICAL INFORMATION          |                                    |
|--------------------------------|------------------------------------|
| Light Source                   | LED                                |
| Colour / Finish                | Black                              |
| IP Rating                      | IP65                               |
| Class Protection               | 1                                  |
| Internal / External            | Internal / External                |
| Surface / Recessed / Suspended | Ceiling, Suspended                 |
| Lumen Depreciation             | L80 54,000h                        |
| Warranty (Years)               | 5                                  |
| CE Mark                        | Yes                                |
| Height                         | 134 mm                             |
| Accessories                    | AZPLED/MWS, AZPLED/LC, AZPLED/MWSP |

