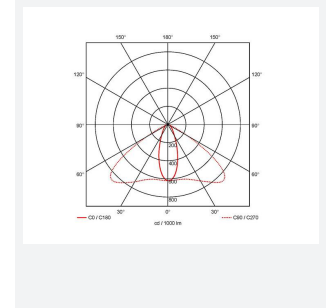
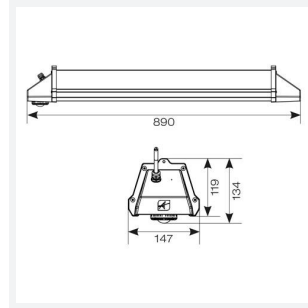
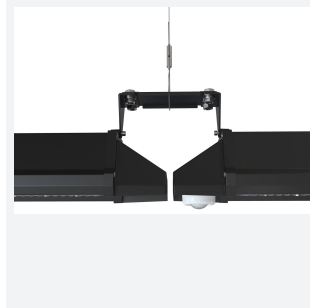




Z LED Linear

Z LED Linear 2 Emergency
Code: AZPLED/2/M3

| | |
|---------------|--|
| Category | High/Low Bay |
| Application | Ancillary, Hospitality, Industrial, Retail |
| Specification | Performance |



- Powerful and durable surface mounted IP65 linear high bay, perfect for the demands of industrial applications
- 1.5m Suspension kit supplied as standard
- Plug and play microwave sensor option, offering maximum energy saving
- Surface mounting possible with AZPLED/LC accessory
- Die-cast aluminium construction provides enhanced thermal performance for longer LED lifespan
- 0/1-10V dimmable as standard (installer must drill through pilot hole and use an IP rated gland on install)

GENERAL INFORMATION

| | |
|----------------------------------|------------|
| Wattage | 150W |
| Lumens Delivered | 21000lm |
| Lm/W | 140lm/W |
| Beam Angle | 25/115 |
| CRI | 80 |
| CCT | 5000K |
| Input | 220-240V |
| Operating Temp | 0°C - 45°C |
| SDCM | 4 |
| Product Weight without Packaging | 8.11 kg |

TECHNICAL INFORMATION

| | |
|--------------------------------|---------------------|
| Light Source | LED |
| Colour / Finish | Black |
| IP Rating | IP65 |
| Class Protection | 1 |
| Internal / External | Internal / External |
| Surface / Recessed / Suspended | Ceiling, Suspended |
| Lumen Depreciation | L80 54,000h |
| Warranty (Years) | 5 |
| CE Mark | Yes |
| Height | 134 mm |

