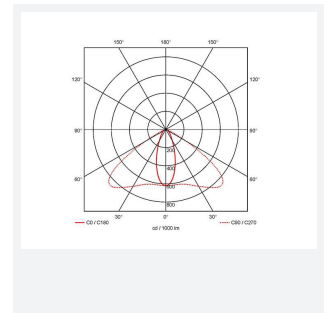
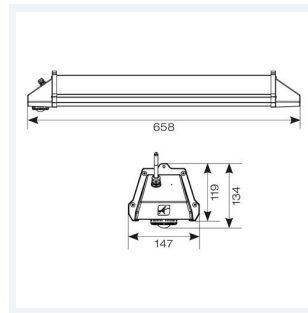
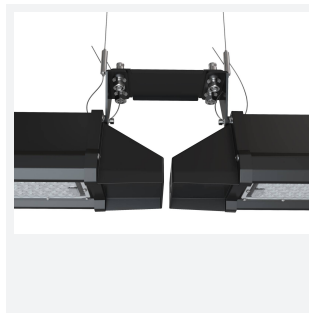




# Z LED Linear

Z LED Linear 1 OCTO Smart Control  
Code: AZPLLED/1/OCTO

Category	High/Low Bay
Application	Ancillary, Hospitality, Industrial, Retail
Specification	Performance



## PRODUCT FEATURES

- Powerful and durable surface mounted IP65 linear high bay, perfect for the demands of industrial applications
- 1.5m Suspension kit supplied as standard
- Plug and play microwave sensor option, offering maximum energy saving
- Surface mounting possible with AZPLLED/LC accessory
- Die-cast aluminium construction provides enhanced thermal performance for longer LED lifespan
- 0/1-10V dimmable as standard (installer must drill through pilot hole and use an IP rated gland on install)

GENERAL INFORMATION	
Wattage	100W
Lumens Delivered	14000lm
Lm/W	140lm/W
Beam Angle	25/115
CRI	80
CCT	5000K
Input	220-240V
Operating Temp	-30°C - 45°C
SDCM	4

TECHNICAL INFORMATION	
Light Source	LED
Colour / Finish	Black
IP Rating	IP65
Class Protection	1
Internal / External	Internal / External
Surface / Recessed / Suspended	Ceiling, Suspended
Lumen Depreciation	L80 54,000h
Warranty (Years)	5
CE Mark	Yes
Height	134 mm
Accessories	AZPLLED/MWS, AZPLLED/LC, AZPLLED/MWSP

