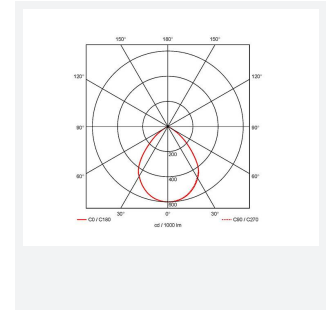
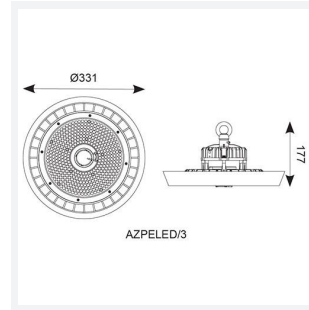
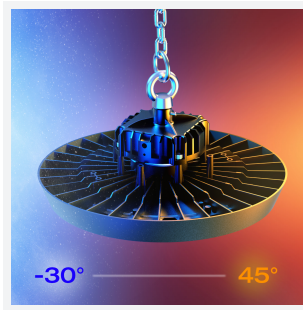




Z LED Performance

Z LED Performance 3 Cool White Integral
Code: AZPELED/3/MWS

Category	High/Low Bay
Application	Ancillary, Hospitality, Industrial, Retail
Specification	Performance



PRODUCT FEATURES

- Robust LED low/high bay for industrial, commercial and retail applications
- Alternative installation options by means of drop rods, jack chain and catenary wire
- Bracket accessories available for ceiling or wall mounting
- 1-10V dimmable as standard
- Die-cast powder coated construction and heatsink for optimum thermals and performance
- Additional lens options offer mid (85°) and narrow (55°) beam angles; ideal for racking aisles
- Pre-wired with 1.5M of H07RN-F cable for ease and speed of installation

GENERAL INFORMATION	
Wattage	200W
Lumens Delivered	30000lm
Lm/W	150lm/W
Beam Angle	110
CRI	80
CCT	4000K
Input	220/240V
Operating Temp	-30°C - 45°C
SDCM	3
UGR	28
Product Weight without Packaging	3.18 kg

TECHNICAL INFORMATION	
Light Source	LED
Colour / Finish	Black
IP Rating	IP65
Class Protection	1
Internal / External	Internal / External
Surface / Recessed / Suspended	Ceiling, Suspended
Lumen Depreciation	L80 54,000h
Warranty (Years)	5
CE Mark	Yes
Diameter	331 mm
Height	191 mm
Accessories	AZPELED/FB2, AZPELED/REF

