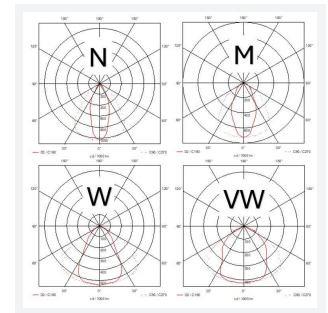
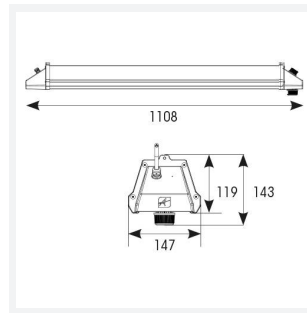




Z LED Linear Opti-X

Application	Industrial
Specification	Performance

Z LED Linear Opti-X Multi Beam Multi Wattage
Code: AZLX/1/CW/OCTO/SM3



PRODUCT FEATURES

- Powerful and durable multi-wattage and multi-beam angle surface-mounted IP65 linear high bay, perfect for the demands of all industrial applications, including warehouses, sorting areas, and production facilities.
- Versatile installations at different heights possible when utilising the multi-output feature, catering to various racking heights and open areas, thanks to the changeable optic.
- Surface mounting possible with AZPLLED/LC accessory
- Die-cast aluminium construction provides enhanced thermal performance for longer LED lifespan
- Enhanced functionality with two switches, allowing users to adjust the output between 100W, 150W, and 200W and change the angle between four beam angle options: 40x80 / 50x100 / 70x120 / 100x120. This adaptability fits perfectly in diverse applications, such as in rented warehouses, where end-users can modify the installation to their specific needs with a simple switch change.
- All-in-one solution for multiple projects with just one item to stock, providing cost-efficiency and convenience
- 1.5m Suspension kit supplied as standard
- Plug and play microwave sensor option, offering maximum energy saving

GENERAL INFORMATION

Wattage	100W/150W/200W
Lumens Delivered	17000lm / 24000lm / 30000lm
Lm/W	150lm/W
Beam Angle	N: 40/80 M: 50/100 W: 70/120 VW: 100/120
CRI	80
CCT	5000K
Input	220/240V
Operating Temp	0°C - 40°C
SDCM	3
UGR	29
Product Weight without Packaging	6.44 kg

TECHNICAL INFORMATION

Light Source	LED
Colour / Finish	Black
IP Rating	IP65
Class Protection	1
Internal / External	Internal
Surface / Recessed / Suspended	Ceiling, Suspended
Lumen Depreciation	L80 60,000h
Warranty (Years)	5
CE Mark	Yes
Height	143 mm

