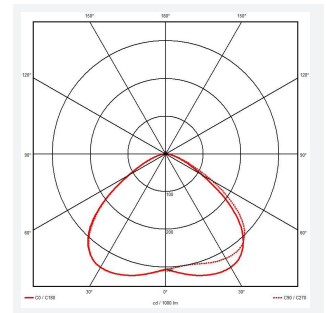
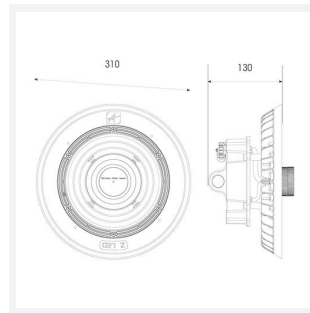




Z LED Performance

Application	Industrial
Specification	Performance

Z LED Performance 2 Code: AZLP2/1



- Robust, high efficacy, LED low/high bay for industrial, commercial and retail applications
- Intelligent plug and play emergency pack option offers a quick and simple conversion from standard to emergency highbay
- Die-cast powder coated construction and heatsink for optimum thermals and performance
- Additional 55° narrow lens option ideal for racking aisles
- CCT selectable between 4000K, 5000K and 6500K
- Plug and play microwave and PIR sensor options, offering maximum energy saving
- Alternative installation options by means of jack chain and catenary wire
- Bracket accessories available for ceiling or wall mounting

GENERAL INFORMATION

Wattage	150W
Lumens Delivered	27000lm (4000K)
Lm/W	180lm/W
Beam Angle	120
CRI	80
CCT	4000/5000/6500
Input	220-240V
Operating Temp	-20°C to 40°C
SDCM	3
UGR	33
Product Weight without Packaging	2.661 kg

TECHNICAL INFORMATION

Light Source	LED
Colour / Finish	Black
IP Rating	IP65
Class Protection	1
Internal / External	Internal / External
Surface / Recessed / Suspended	Surface, Suspended
Lumen Depreciation	L90 50,000h
Warranty (Years)	5
CE Mark	Yes
Height	320 mm

