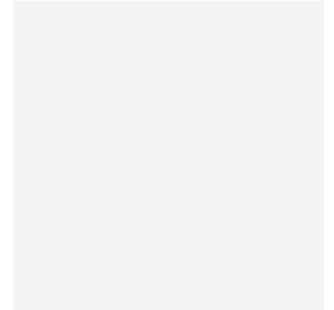
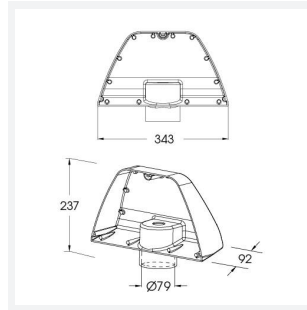
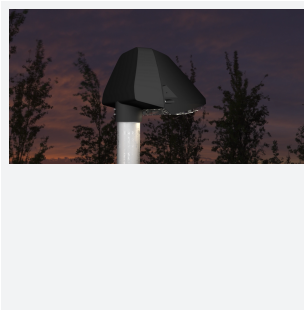


# Wolf Post Top Bracket

Wolf Post Top Bracket Single Silver Grey  
Code: AWOLFB/S/SG/1

|               |                                         |
|---------------|-----------------------------------------|
| Category      | Floodlights                             |
| Application   | Commercial, Industrial, Outdoor, Retail |
| Specification | Architectural                           |



## PRODUCT FEATURES

- Accessory for the Wolf wall pack
- Single wall pack post top bracket

### GENERAL INFORMATION

|                                  |       |
|----------------------------------|-------|
| Product Weight without Packaging | 1.353 |
|----------------------------------|-------|

### TECHNICAL INFORMATION

|                                |             |
|--------------------------------|-------------|
| Colour / Finish                | Silver Grey |
| Internal / External            | External    |
| Surface / Recessed / Suspended | Pole        |
| Warranty (Years)               | 5           |

