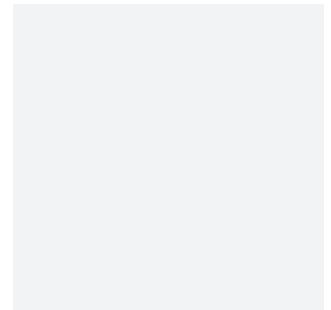
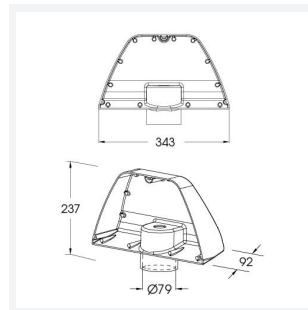
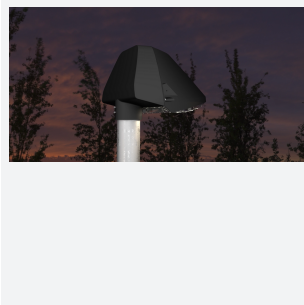




# Wolf Post Top Bracket

Wolf Post Top Bracket Single Black  
Code: AWOLFB/S/BLK/1

Category	Floodlights
Application	Commercial, Industrial, Outdoor, Retail
Specification	Architectural



- Accessory for the Wolf wall pack

- Single wall pack post top bracket

## GENERAL INFORMATION

Product Weight without Packaging 1.353

## TECHNICAL INFORMATION

Colour / Finish	Black
Internal / External	External
Surface / Recessed / Suspended	Pole
Warranty (Years)	5
Height	235 mm

