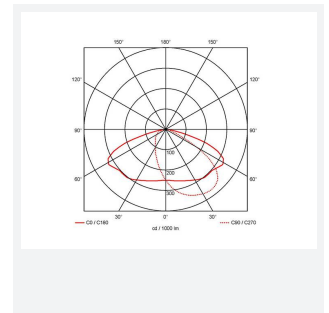
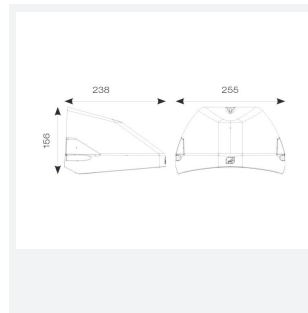
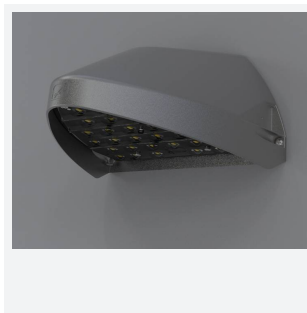




Wolf Mini

Wolf Mini Wallpack CCT Microwave Sensor Dim
Code: AWOLF/MINI/BLK/MWS/SM3

Category	Bulkheads
Application	Ancillary, Commercial, Healthcare, Hospitality, Industrial, Outdoor, Retail
Specification	Performance



PRODUCT FEATURES

- Modern, robust die-cast aluminium low glare wall pack suitable for commercial and industrial applications
- Reduced light pollution with 0% upward light distribution, helps with compliance with Dark Skies recommendations
- High efficiency up to 125 Lm/W
- Multiple conduit, 20mm East and West side entries and rear BESA mounting
- Advanced lens technology offers wide distribution for optimum spacing and uniformity; whilst ensuring minimal uplight and light pollution
- Power selectable; offering a choice of 2 outputs, in one luminaire
- Electrostatic paint finish for enhanced corrosion resistance
- Dimmable and Smart options available

GENERAL INFORMATION	
Wattage	4/8W
Lumens Delivered	500/1000lm (4000K)
Lm/W	125lm/W (4000K)
Beam Angle	70/140
CRI	82
CCT	3000/4000K
Input	220/240V
Operating Temp	0°C - 40°C
SDCM	3
Product Weight without Packaging	1.891 kg

TECHNICAL INFORMATION	
Light Source	LED
Colour / Finish	Black
IP Rating	IP65
Class Protection	1
Internal / External	External
Surface / Recessed / Suspended	Wall
Lumen Depreciation	L80 84,000h
Warranty (Years)	5
CE Mark	Yes
Height	156 mm

