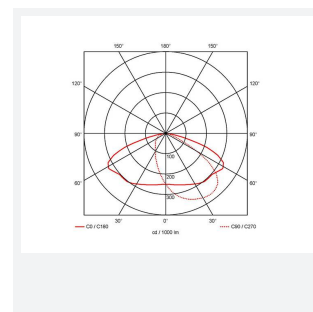
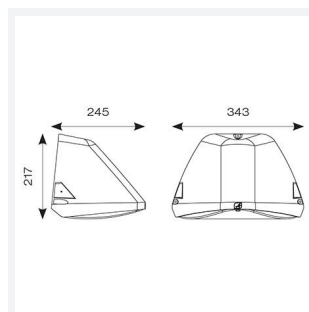


# Wolf

## Wolf CCT Multi Wattage Wallpack Microwave Code: AWOLF/BLK/MWS/M3/PC

<b>Category</b>	Bulkheads
<b>Application</b>	Ancillary, Commercial, Healthcare, Hospitality, Industrial, Outdoor, Retail
<b>Specification</b>	Performance



### PRODUCT FEATURES

- Modern, robust die-cast aluminium low glare wall pack suitable for commercial and industrial applications
- Reduced light pollution with 0% upward light distribution, helps with compliance with Dark Skies recommendations, helps with compliance with Dark Skies recommendations
- High efficiency up to 120 Lm/W
- Multiple conduit entry and BESA fixing points
- Advanced lens technology offers wide distribution for optimum spacing and uniformity; whilst ensuring minimal uplight and light pollution
- Power selectable; offering a choice of 3 outputs, in one luminaire
- Electrostatic paint finish for enhanced corrosion resistance
- 20mm East and West side entry for surface conduit and through-wire

GENERAL INFORMATION	
Wattage	18/20/30W
Lumens Delivered	2200/2400/3600lm (4000K)
Lm/W	120lm/W (4000K)
Beam Angle	70/140
CRI	82
CCT	3000/4000K
Input	220/240V
Operating Temp	0°C - 40°C
SDCM	5
Product Weight without Packaging	3.388 kg

TECHNICAL INFORMATION	
Light Source	LED
Colour / Finish	Black
IP Rating	IP65
Class Protection	1
Internal / External	External
Surface / Recessed / Suspended	Pole, Wall
Lumen Depreciation	L80 84,000h
Warranty (Years)	5
CE Mark	Yes
Height	217 mm

