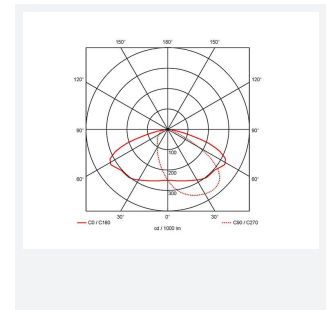
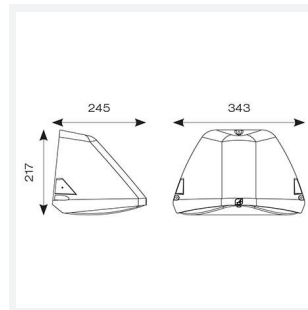




# Wolf

Wolf CCT Multi Wattage Wallpack DALI-  
Code: AWOLF/BLK/DM3/PC

|                      |   |
|----------------------|---|
| <b>Category</b>      | Bulkheads   |
| <b>Application</b>   | Ancillary, Commercial, Healthcare, Hospitality, Industrial, Outdoor, Retail |
| <b>Specification</b> | Performance   |



## PRODUCT FEATURES

- Modern, robust die-cast aluminium low glare wall pack suitable for commercial and industrial applications
- Reduced light pollution with 0% upward light distribution, helps with compliance with Dark Skies recommendations, helps with compliance with Dark Skies recommendations
- High efficiency up to 120 Lm/W
- Multiple conduit entry and BESA fixing points
- Advanced lens technology offers wide distribution for optimum spacing and uniformity; whilst ensuring minimal uplight and light pollution
- Power selectable; offering a choice of 3 outputs, in one luminaire
- Electrostatic paint finish for enhanced corrosion resistance
- 20mm East and West side entry for surface conduit and through-wire

| GENERAL INFORMATION |                                  |
|---------------------|----------------------------------|
| Wattage             | 19W / 21W / 30W                  |
| Lumens Delivered    | 2200lm / 2400lm / 3600lm (4000K) |
| Lm/W                | 120lm/W (4000K)                  |
| Beam Angle          | 70/140                           |
| CRI                 | 82                               |
| CCT                 | 3000/4000K                       |
| Input               | 220-240V                         |
| Operating Temp      | 0°C - 40°C                       |
| SDCM                | 5                                |

| TECHNICAL INFORMATION          |             |
|--------------------------------|-------------|
| Light Source                   | LED         |
| Colour / Finish                | Black       |
| IP Rating                      | IP65        |
| Class Protection               | 1           |
| Internal / External            | External    |
| Surface / Recessed / Suspended | Pole, Wall  |
| Lumen Depreciation             | L80 84,000h |
| Warranty (Years)               | 5           |
| CE Mark                        | Yes         |
| Height                         | 220 mm      |

