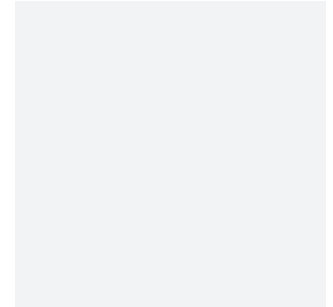
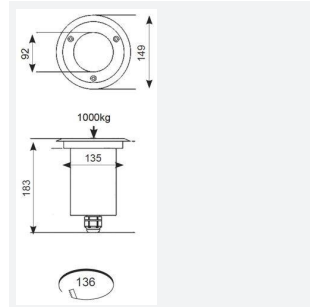




# GU10 Adjustable Inground Uplight

GU10 Adjustable Inground Uplight Stainless Steel  
Code: AWO/GU10

Category	Feature Lighting
Application	Outdoor, Residential
Specification	Performance



## PRODUCT FEATURES

- GU10 adjustable inground uplight suitable for residential applications
- 304 stainless steel top ring and stainless steel allen key screws
- Suitable for pedestrian traffic with a static impact resistance of up to 1000kgs
- Caution: surface glass temperature will get very hot under normal halogen operation. It is recommended to use GU10 LED lamps for cooler operation.
- Die-cast aluminium housing with a clear toughened glass diffuser of 8mm thickness
- Adjustable lampholder to allow up to 15° vertical inclination of lamp
- Option to add OCTO Connected by WiZ smart GU10 lamp

GENERAL INFORMATION	
Wattage	50W
Input	220-240V
Operating Temp	-10°C - 25°C
Cut-Out Size	136mm
Product Weight without Packaging	0.993 kg

TECHNICAL INFORMATION	
Light Source	GU10
Colour / Finish	Stainless Steel
IP Rating	IP65
Class Protection	1
Internal / External	External
Surface / Recessed / Suspended	Recessed
Warranty (Years)	3
CE Mark	Yes
Diameter	149 mm

