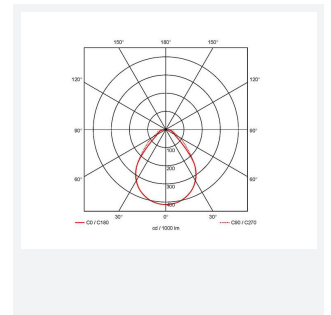
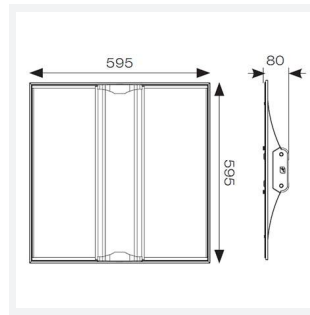
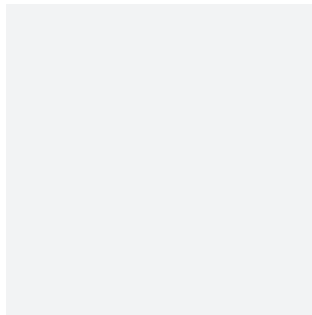
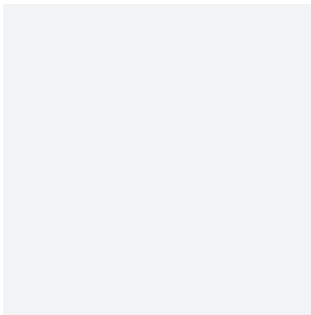


# Volo

## Volo CCT Dual Wattage Recessed Modular Code: AVOLO

Category	Commercial Panels
Application	Ancillary, Commercial, Education, Healthcare, Retail
Specification	Architectural



### PRODUCT FEATURES

- High performance indirect recessed luminaire
- Can be surface and suspended, suspension kit supplied separately
- Selectable CCT between 3000K and 4000K
- Integral PIR option discreetly positioned in the end cap
- High performance indirect recessed luminaire
- Dual direct/indirect output. Direct from the centre micro-prism central diffuser coupled with indirect output from the side diffuser sections. Providing a perfect combination for task and ambient lighting from one source
- OCTO tunable white option (3000K/6500K)
- High performance optics provide high efficiency while still offering optimum glare control and comfort for task/office applications

GENERAL INFORMATION	
Wattage	21W - 34W
Lumens Delivered	2700lm - 4200lm (4000K)
Lm/W	128lm/W - 124lm/W (4000K)
Beam Angle	85
CRI	80
CCT	3000/4000K
Input	220-240V
Operating Temp	-20°C - 50°C
SDCM	3
UGR	17
Cut-Out Size	580x580mm
Product Weight without Packaging	5.916 kg

TECHNICAL INFORMATION	
Light Source	LED
Colour / Finish	White
IP Rating	IP40
Class Protection	1
Internal / External	Internal
Surface / Recessed / Suspended	Ceiling, Recessed, Suspended
Lumen Depreciation	L80 82,000h
Warranty (Years)	5
CE Mark	Yes
Height	80 mm
Accessories	AVOLO/SK

