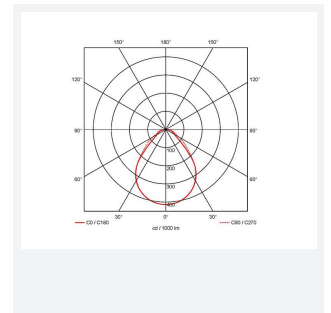
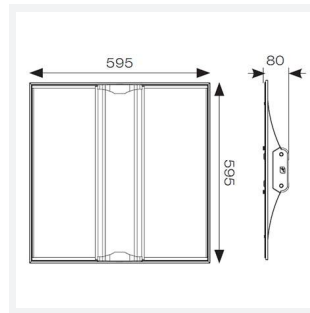


Category	Commercial Panels
Application	Ancillary, Commercial, Education, Healthcare, Retail
Specification	Architectural

Volo

Volo Recessed Modular OCTO Smart Control Code: AVOLO/TW/OCTO



PRODUCT FEATURES

- Architectural LED recessed modular suitable for education, commercial and healthcare applications
- Can be surface and suspended, suspension kit supplied separately
- Selectable CCT between 3000K and 4000K
- Integral PIR option discreetly positioned in the end cap
- High performance indirect recessed luminaire
- Dual direct/indirect output. Direct from the centre micro-prism central diffuser coupled with indirect output from the side diffuser sections. Providing a perfect combination for task and ambient lighting from one source
- OCTO tunable white option (3000K-6500K)
- High performance optics provide high efficiency while still offering optimum glare control and comfort for task/office applications

GENERAL INFORMATION	
Wattage	42W
Lumens Delivered	3200lm - 3700lm (2700K - 6500K)
Lm/W	76lm/W - 88lm/W (2700K - 6500K)
Beam Angle	85
CRI	80
CCT	2700-6500K
Input	220/240V
Operating Temp	-20°C - 50°C
SDCM	3
UGR	17
Cut-Out Size	580x580mm
Product Weight without Packaging	5.916 kg

TECHNICAL INFORMATION	
Light Source	LED
Colour / Finish	White
IP Rating	IP40
Class Protection	1
Internal / External	Internal
Surface / Recessed / Suspended	Ceiling, Recessed, Suspended
Lumen Depreciation	L80 82,000h
Warranty (Years)	5
CE Mark	Yes
Height	80 mm
Accessories	AVOLO/SK

