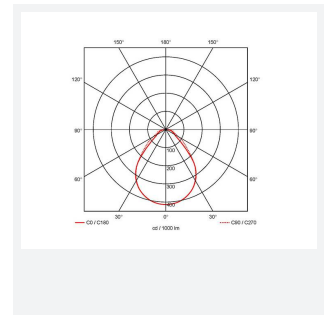
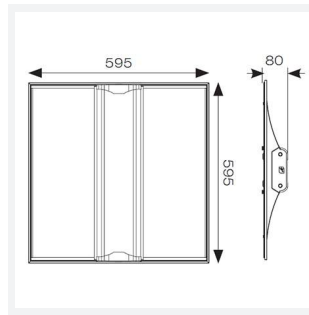


Volo

Volo CCT Dual Wattage Recessed Modular Self-Code: AVOLO/SM3

| | |
|---------------|--|
| Category | Commercial Panels |
| Application | Ancillary, Commercial, Education, Healthcare, Retail |
| Specification | Architectural |



PRODUCT FEATURES

- Architectural LED recessed modular suitable for education, commercial and healthcare applications
- Can be surface and suspended, suspension kit supplied separately
- Selectable CCT between 3000K and 4000K
- Integral PIR option discreetly positioned in the end cap
- High performance indirect recessed luminaire
- Dual direct/indirect output. Direct from the centre micro-prism central diffuser coupled with indirect output from the side diffuser sections. Providing a perfect combination for task and ambient lighting from one source
- OCTO tunable white option (3000K/6500K)
- High performance optics provide high efficiency while still offering optimum glare control and comfort for task/office applications

| GENERAL INFORMATION | |
|----------------------------------|---------------------------|
| Wattage | 21W - 34W |
| Lumens Delivered | 2700lm - 4200lm (4000K) |
| Lm/W | 128lm/W - 124lm/W (4000K) |
| Beam Angle | 85 |
| CRI | 80 |
| CCT | 3000/4000K |
| Input | 220/240V |
| Operating Temp | 0°C - 50°C |
| SDCM | 3 |
| UGR | 17 |
| Cut-Out Size | 580x580mm |
| Product Weight without Packaging | 6.353 kg |

| TECHNICAL INFORMATION | |
|--------------------------------|------------------------------|
| Light Source | LED |
| Colour / Finish | White |
| IP Rating | IP40 |
| Class Protection | 1 |
| Internal / External | Internal |
| Surface / Recessed / Suspended | Ceiling, Recessed, Suspended |
| Lumen Depreciation | L80 82,000h |
| Warranty (Years) | 5 |
| CE Mark | Yes |
| Height | 80 mm |
| Accessories | AVOLO/SK |

