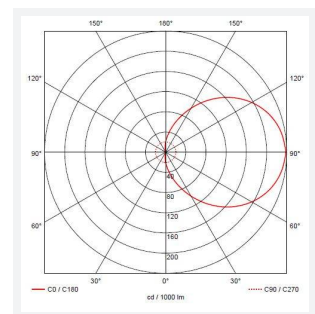
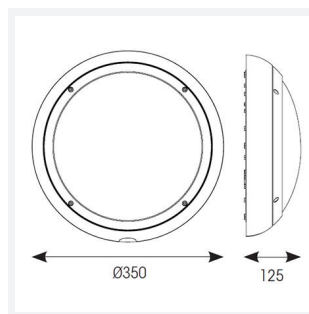
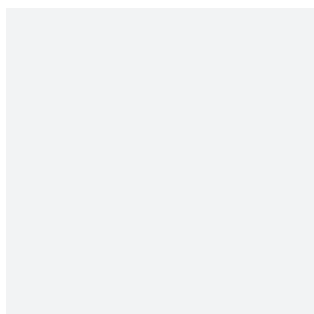
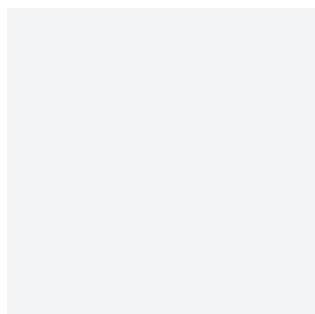




Vision

Vision CCT Dual Wattage Self-Test Emergency Code: AVIL/1/GR/SM3

Category	Bulkheads
Application	Ancillary, Hospitality, Outdoor, Residential, Retail
Specification	Performance



PRODUCT FEATURES

- IP65 CCT polycarbonate luminaire suitable for healthcare, educational, commercial and industrial applications
- UV stabilised polycarbonate constructions allows installation into areas exposed to adverse weather conditions
- Clip in gear tray ensures quick installation
- Dimmable, Photocell, MWS and Emergency options available
- CCT selectable between 3000K and 4000K and power selectable; offering a choice of 2 outputs, in one luminaire
- Top, bottom and side conduit entry covers retain sleek appearance when not in use
- Corridor function options available for effective reduction in energy consumption
- Powered by Tridonic

GENERAL INFORMATION	
Wattage	9W - 18W
Lumens Delivered	1300lm - 2100lm
Lm/W	130lm/W - 120lm/W
Beam Angle	110
CRI	80
CCT	3000/4000K
Input	220/240V
Operating Temp	5°C - 40°C
SDCM	6
Energy efficiency class	C
Product Weight without Packaging	1.47 kg

TECHNICAL INFORMATION	
Light Source	LED
Colour / Finish	Graphite
IP Rating	IP65
Class Protection	2
Internal / External	Internal / External
Surface / Recessed / Suspended	Ceiling, Wall
Lumen Depreciation	L80 54,000h
Warranty (Years)	5
CE Mark	Yes
Diameter	350 mm
Height	110 mm

