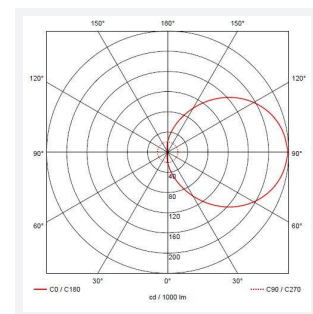
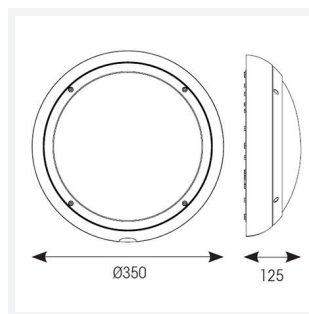


Vision

Vision CCT Dual Wattage DALI-Emergency Code: AVIL/1/GR/DM3

| | |
|---------------|--|
| Category | Bulkheads |
| Application | Ancillary, Hospitality, Outdoor, Residential, Retail |
| Specification | Performance |



PRODUCT FEATURES

- IP65 CCT polycarbonate luminaire suitable for healthcare, educational, commercial and industrial applications
- UV stabilised polycarbonate constructions allows installation into areas exposed to adverse weather conditions
- Clip in gear tray ensures quick installation
- Dimmable, Photocell, MWS and Emergency options available
- CCT selectable between 3000K and 4000K and power selectable; offering a choice of 2 outputs, in one luminaire
- Top, bottom and side conduit entry covers retain sleek appearance when not in use
- Corridor function options available for effective reduction in energy consumption
- Powered by Tridonic

GENERAL INFORMATION

| | |
|----------------------------------|-------------------|
| Wattage | 9W - 18W |
| Lumens Delivered | 1300lm - 2100lm |
| Lm/W | 130lm/W - 120lm/W |
| Beam Angle | 110 |
| CRI | 80 |
| CCT | 3000/4000K |
| Input | 220-240V |
| Operating Temp | 5°C - 40°C |
| SDCM | 6 |
| Energy efficiency class | C |
| Product Weight without Packaging | 1.57 kg |

TECHNICAL INFORMATION

| | |
|--------------------------------|---------------------|
| Light Source | LED |
| Colour / Finish | Graphite |
| IP Rating | IP65 |
| Class Protection | 2 |
| Internal / External | Internal / External |
| Surface / Recessed / Suspended | Ceiling, Wall |
| Lumen Depreciation | L80 54,000h |
| Warranty (Years) | 5 |
| CE Mark | Yes |
| Diameter | 350 mm |
| Height | 110 mm |

